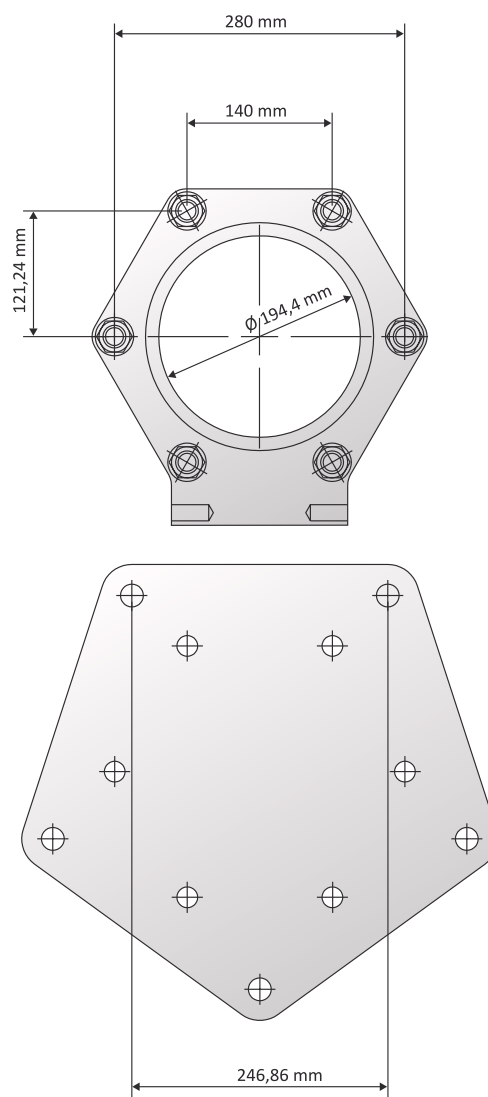
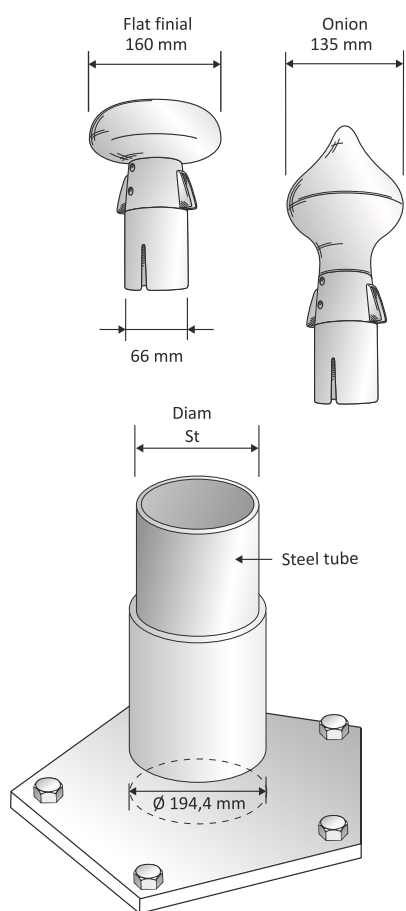


Pro technical datasheet - 20/22/24m

	20m	22m	24m
top diameter (mm)	75	75	75
bottom diameter (mm)	230	230	230
fiberglass thickness (mm)	4,5	4,5	4,5
cylindrical length (mm)	10 000	12 000	14 000
height to cleat/lock (mm)	1 500	1 500	1 500
height to winch (mm)	630	630	630
length of the steel tube (mm)	1 500	1 500	1 500
thickness of the steel tube (mm)	5,6	5,6	5,6
diameter of the steel tube (mm)	194	194	194
(a) top part length (mm)	13 000	13 000	13 000
(b) bottom part length (mm)	7 000	9 000	11 000
(c) split tube length (mm)	1 000	1 000	1 000
(d) diameter of the split tube (mm)	200	200	200



PRO 20-24 m

