

IZ-CAT-10 Rev.00(09/02)

ZENEX MULTI & PLUS I-System

ZENEX MULTI & PLUS  
I-System

ZENEX MULTI & PLUS I-System

HQ & Factory  
1, 2Dong, 26-32, Suworam 4-gil, Seotan-myeon, Pyeongtaek-si, Gyeonggi-do,  
17703, Republic of Korea

Sales Office  
#1013, #1014 Central-Tower II, 158, Magokseo-ro, Gangseo-gu, Seoul, 07788  
Republic of Korea  
Tel. +82-31-662-0657 (HQ)  
+82-2-3664-3666 (Sales)  
Fax. +82-31-662-0658

Izenimplant Co.,Ltd.  
[www.izenimplant.com](http://www.izenimplant.com)

**IZEN**  
I M P L A N T

IZEN

**IZEN**  
I M P L A N T






# Z E N E X I M P L A N T S Y S T E M

017 ZENEX MULTI I-System

075 ZENEX PLUS I-System

131 ZENEX KIT



# IZEN Implant, innovative technology in pursuit of **bright smile**

Established in 2016 by developers and researchers who have spent more than 20 years on research and development in dental implants, IZEN Implant have working on developing innovative products to provide the best result to patients. We will continue to grow into a company that meets customers' needs with safe and excellent products made of trust and continuous research and development.

IZEN Implant provides more convenient, stable, and optimized implant system by building product line-up with high-end technology of ZENEX MULTI and ZENEX PLUS.

# Certification



# History & Global Network



2016. 03

Foundation of IZEN Implant

2016. 06

Acquisition of manufacturing licenses for medical devices  
Report medical device items (Screw driver for dental implant surgery)

2016. 12

Patent registration (Driver holder and driver apparatus for dental engineering, No. 10-1684959)

2017. 03

Patent registration (Driver holder for dental apparatus, No. 10-1714533, No. 10-1714541)

2018. 08

Venture Business Certificate (No. 20180110278)

2018. 09

Foundation of Corporate Affiliated Research Institute (No. 2018114470)

2019. 06

Acquisition of small businesses technology development project (Development of Dental implant abutments and scan body for dental digital system)

2019.12

Patent registration (Abutment and dental implant, No. 10-2062575)



# IZEN

I M P L A N T

Your companion armed with active  
and flexible ideas for your satisfaction.

2017.09

Registration of medical devices  
(Apparatus for dental implant  
surgery)

2018.03

Certification of medical  
device items compliance with  
manufacturing and quality  
control standards (KGMP)

2018.04

Medical Device Item Certification  
(Dental implant abutments)

2018.07

Acquisition of ISO 9001 : 2015

2020.01

Medical Device Item  
Certification  
(Orthodontic Screw)

2020.12

Medical Device Item  
Certification  
(Dental implant abutments)

2021.01

Patent registration  
(Implant Lab Analog,  
No. 10-2209274)

2021.05

Acquisition of ISO13485:  
2016 & CE MDD



# MANUFACTURE

## Manufacturing



### Materials

Fixture and Abutment of ZENEX MULTI & ZENEX PLUS Implant System are produced by titanium which is certified by ASTM.



### Manufacture by CNC Machine

In order to produce Fixture and Abutment of ZENEX MULTI & ZENEX PLUS Implant System, the raw materials are manufactured by CNC Machine.



### Manufacture of Half-Finished product

Fixture and Abutment of ZENEX MULTI & ZENEX PLUS Implant System are manufactured as a Half-Finished product based on a design of each product.



### Sand Blasting

In case of Fixture, the roughness of surface is increased physically by blasting Alumina powder for osseointegration through getting a wide SLA surface.



### Etching

In case of Fixture, the roughness of surface is widened by chemical corrosion. After a SLA surface treatment, the surface inspection is done whether any residual acid is on the fixture.



### TiN Coating

For classifying product and aesthetic impression, the electronic-chemical methods are used artificially for TiN coating as a gold color. Applied for some kinds of Abutments.



### Cleaning

Final cleaning for a perfect removal of pollutant is proceeded in the Clean Room. After final cleaning, the inspection will be taken place.



### Packing

After cleaning products, the packing is done in the Clean Room. The packing is proceeded by automatic system without any foreign pollution.



### Sterilization

For some products, it is sterilized by the short-wavelength of gamma radiation. It is possible to check the sterilization through a color of sticker on the package changed by a gamma radiation. Applied product: Fixture, Cover Screw, Healing Abutment & Multi Healing Cap.

# Quality Management



## Dimension Management

After manufacturing product (fixture), Dimension of product is tested by non-contact visual microscope to measure precise dimension.



## Stability Test

Our products are tested by fixation force and screw loosening for providing a stable products.



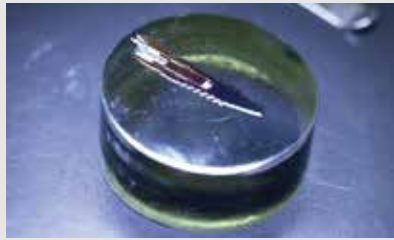
## Fatigue Test

For providing the strength of product and a long-term safety, a fatigue test is done by measuring a mechanical force. Based on ISO14801:2016, the test is taken place.



## Surface Management

In order to maintain a stable roughness of SLA Implant surface, the roughness of surface is tested in each lot.



## Connection Management

We observe the fixture and abutment is connected internally without any problem before the shipment.



# ZENEX MULTI I-System Contents

ZENEX MULTI  
I-System Fixture  
022



Cover  
Screw  
025



Healing  
Abutment  
026



Temporary  
Abutment  
030



Cemented  
Abutment  
031



Angled  
Abutment  
036



FreeMilling  
Abutment  
040



CCM Cast  
Abutment  
042



Pick-Up  
Impression  
Coping  
043



Transfer  
Impression  
Coping  
045



Fixture Lab  
Analog  
047



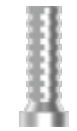
Multi Straight  
Abutment  
050



Multi Angled  
Abutment  
051



Multi Temporary  
Cylinder  
053



Multi CCM  
Cast Cylinder  
053



Multi Plastic  
Cast Cylinder  
054



Multi Ti Link  
Cylinder  
054



Multi Pick-Up  
Impression  
Coping  
055



Multi Transfer  
Impression  
Coping  
055



Multi  
Lab Analog  
056



Multi  
Healing Cap  
056



Multi  
ScanBody  
057



Multi Straight  
Abutment Driver  
057



Ball  
Abutment  
060



Ball Abutment  
Cap Set  
061



Ball Abutment  
Retainer Set  
061



Ball Abutment  
O-ring Set  
062



Ball Abutment  
Lab Analog  
062



Ball Abutment  
Driver  
063



Kerator  
Abutment  
064



Kerator Angled  
Abutment  
065



Kerator  
CDPH Set  
066



Kerator  
Male Cap  
066



Kerator  
Magic Tool  
067



Kerator  
Torque Tip  
067



Kerator  
Impression  
Coping  
068



Kerator Lab  
Analog  
068



ScanBody  
071



Ti Link  
Abutment  
072



Ti Blank  
Abutment  
073



# ZENEX PLUS I-System Contents

ZENEX PLUS  
I-System Fixture  
080



Cover  
Screw  
083



Healing  
Abutment  
084



Temporary  
Abutment  
088



Cemented  
Abutment  
089



Angled  
Abutment  
093



FreeMilling  
Abutment  
097



CCM Cast  
Abutment  
099



Pick-Up  
Impression  
Coping  
100



Transfer  
Impression  
Coping  
102



Fixture Lab  
Analog  
104



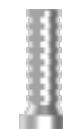
Multi Straight  
Abutment  
107



Multi Angled  
Abutment  
108



Multi Temporary  
Cylinder  
109



Multi CCM  
Cast Cylinder  
109



Multi Plastic  
Cast Cylinder  
110



Multi Ti-Link  
Cylinder  
110



Multi Pick-Up  
Impression  
Coping  
111



Multi Transfer  
Impression  
Coping  
111



Multi  
Lab Analog  
112



Multi  
Healing Cap  
112



Multi  
ScanBody  
113



Multi Straight  
Abutment Driver  
113



Ball  
Abutment  
116



Ball Abutment  
Cap Set  
117



Ball Abutment  
Retainer Set  
117



Ball Abutment  
O-ring Set  
118



Ball Abutment  
Lab Analog  
118



Ball Abutment  
Driver  
119



Kerator  
Abutment  
120



Kerator Angled  
Abutment  
121



Kerator  
CDPH Set  
122



Kerator  
Male Cap  
122



Kerator  
Magic Tool  
123



Kerator  
Torque Tip  
123



Kerator  
Impression  
Coping  
124



Kerator Lab  
Analog  
124



ScanBody  
128



Ti Link  
Abutment  
129



Ti Blank  
Abutment  
130



# Kit Contents

ZENEX  
SURGERY KIT  
134



Guide  
Drill  
136



Lindemann  
Drill  
136



Drill  
Extension  
137



Twist  
Drill  
137



Step  
Drill  
138



Drill  
Stopper  
139



Cortical  
Drill  
139



Direction  
Pin  
140



Parallel  
Pin  
141



Fixture  
Driver  
141



1.2 Hex  
Driver  
143



Torque  
Wrench  
143



Depth  
Gauge  
144



Steel  
Bowl  
144



ZENEX EASY  
SURGERY KIT  
150



Guide  
Drill  
152



Lindemann  
Drill  
152



Drill  
Extension  
153



Step  
Drill  
153



Cortical  
Drill  
155



Direction  
Pin  
155



Parallel  
Pin  
156



Fixture  
Driver  
156



1.2 Hex Driver  
158



Torque Wrench  
158



Depth Gauge  
159



Steel Bowl  
159



Tissue Punch  
164



Trephine Drill  
164



Bone Profiler  
165



**ZENEX SUPERWIDE**  
166



Guide Drill  
168



Lindemann Drill  
168



Drill Extension  
169



Step Drill  
169



Cortical Drill  
170



Direction Pin  
170



Parallel Pin  
171



Fixture Driver  
171



1.2 Hex Driver  
173



Torque Wrench  
173



Depth Gauge  
174



**ZENEX PROSTHETIC KIT**  
176



1.2 Hex Driver  
178



1.2 Hex Machine Screw Driver  
178



Abutment Remover  
179



Finger Driver for Driver Shaft  
179





# Kit Contents

Ball Abutment  
Driver  
180



Multi Straight  
Abutment Driver  
180



Torque  
Wrench  
181



Kerator  
Magic Tool  
181



Kerator  
Torque Tip  
182



**IZEN**  
I M P L A N T

**IZEN**  
I M P L A N T

**ZENEX MULTI  
I-System**



---

# ZENEX MULTI I-System

---

## COMPOSITION

022 ZENEX MULTI I-System Fixture

025 Cover Screw

026 Healing Abutment

**029 PROSTHETIC FLOW CHART I**

030 Temporary Abutment

031 Cemented Abutment

036 Angled Abutment

040 FreeMilling Abutment

042 CCM Cast Abutment

043 Pick-Up Impression Coping

045 Transfer Impression Coping

047 Fixture Lab Analog

**049 PROSTHETIC FLOW CHART II**

050 Multi Straight Abutment

051 Multi Angled Abutment

053 Components of Multi Abutment

**059 PROSTHETIC FLOW CHART III**

060 Ball Abutment

061 Components of Ball Abutment

064 Kerator Abutment

065 Kerator Angled Abutment

066 Components of Kerator Abutment

**070 PROSTHETIC FLOW CHART IV**

071 ScanBody

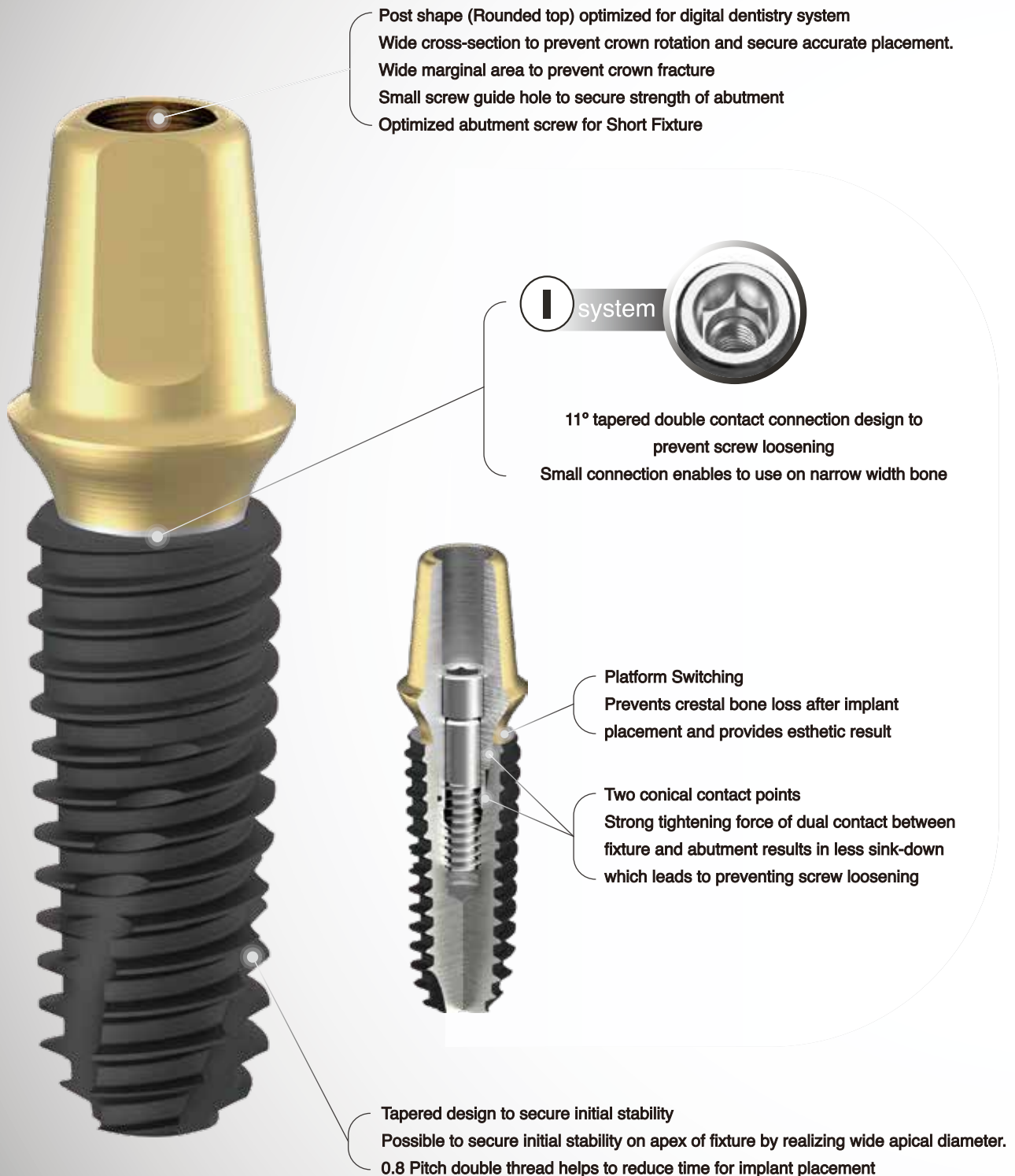
072 Ti Link Abutment

073 Ti Blank Abutment

# ZENEX MULTI I-System

## - Design features

- Designed for various types of bone



# ZENEX MULTI Implant

## - Surface features

SEM MAG:30X

SLA surface  
( $\text{Al}_2\text{O}_3$  powder Sand-blast and Acid Etched)

- SLA surface for presenting ideal surface shape
- Surface Roughness Ra 2.0~3.0  $\mu\text{m}$
- Safe surface with no residual acid
- Safer than other implants  
(Proved by ICP/IC Analysis)

SEM MAG:5000X



# ZENEX MULTI Fixture I-System

Internal 11° tapered submerged type implant  
 SLA surface implant  
 Tapered design to secure initial stability  
 Double thread design for securing width of internal connection and easy insertion  
 Possible to secure primary stability on apex of fixture by realizing wide apical diameter.  
 Recommended torque for implant placement: Less than 40Ncm

For Narrow Fixture (Ø 3.0)

- Enable surgery in bone of narrow width
- Easy to compensate angle in anterior area

For Wide Fixture (Ø 6.0, Ø 7.0)

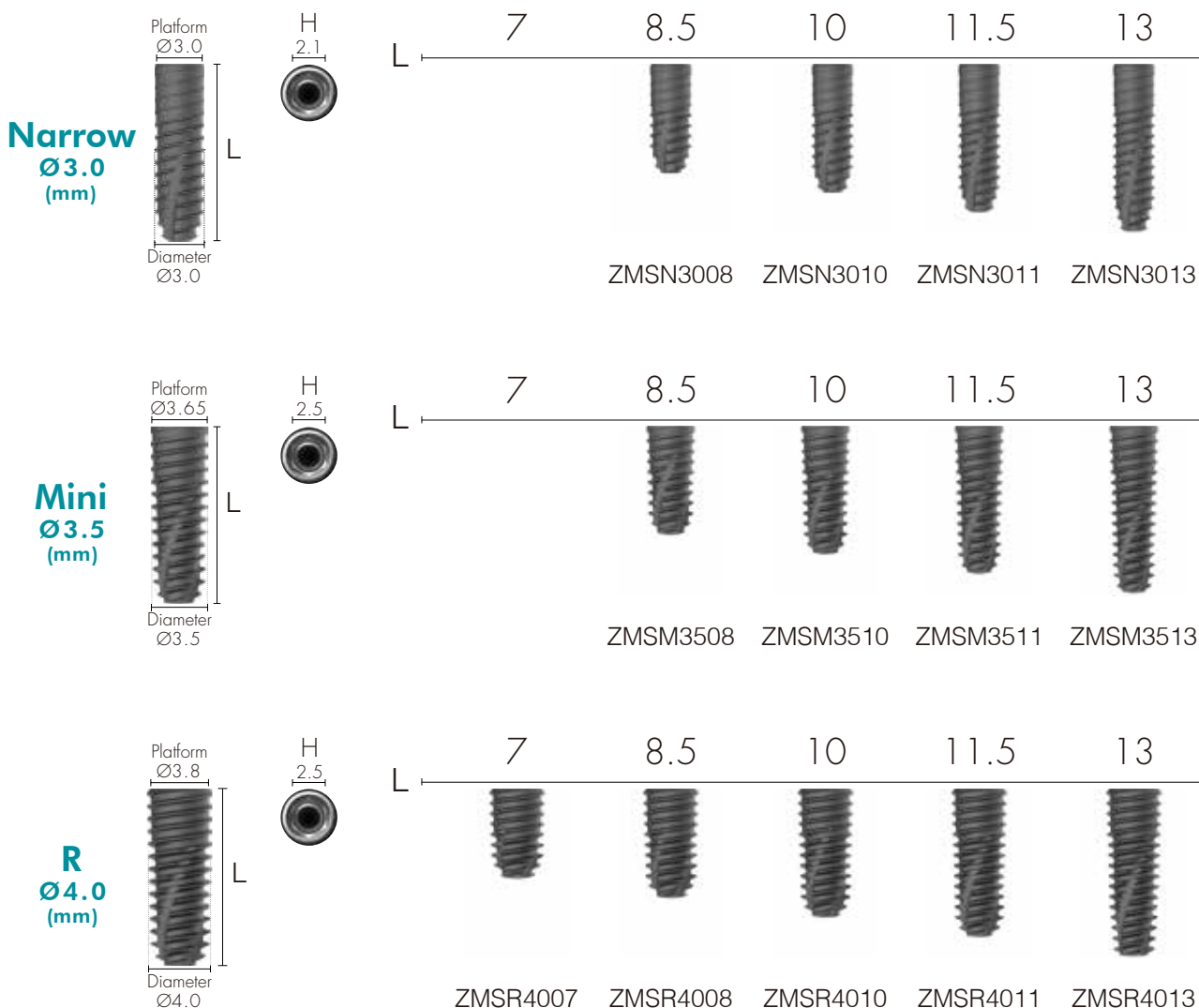
- Wide fixture with single thread for easy implant placement.
- 6mm length fixture enables to use in lower alveolar bone
- Radial shaped on upper part of fixture enables to be used for wide hole such as extraction socket

\* Recommend to use fixture bigger than Ø4.5 mm for single case in posterior area

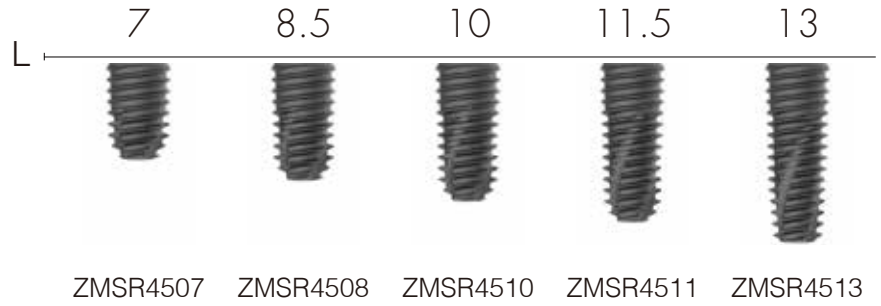
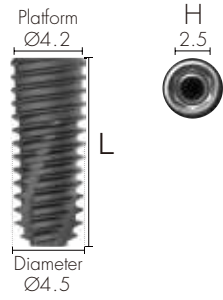
\* Incompatible to use other brands' prosthetic products for Short Fixture (less than 7mm length) in case of I-System

**Cover Screw not included in the Fixture package.**

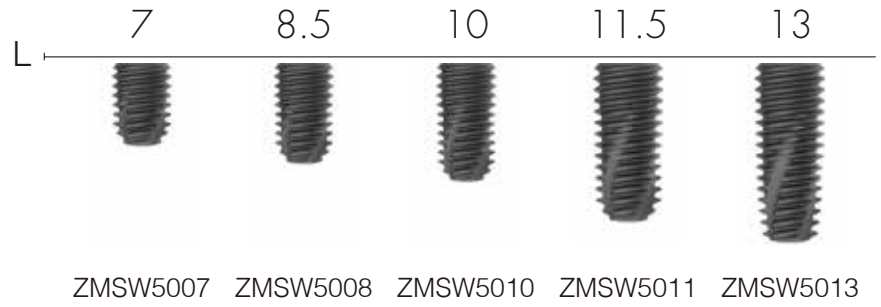
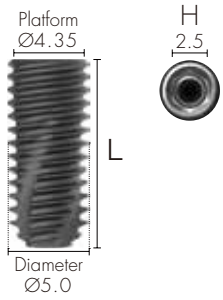
022 ZENEX MULTI



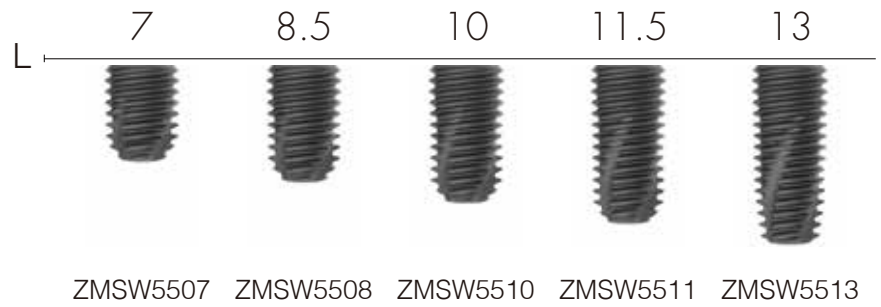
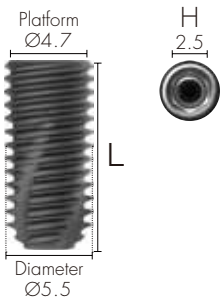
**R**  
Ø4.5  
(mm)



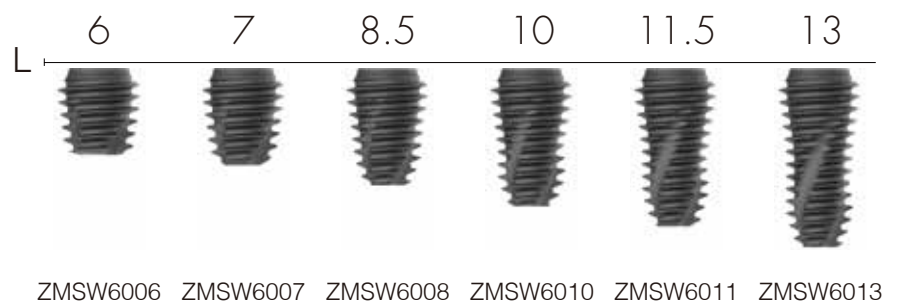
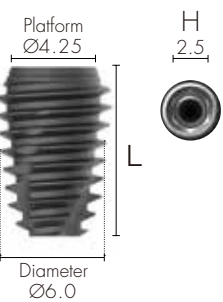
**W**  
Ø5.0  
(mm)



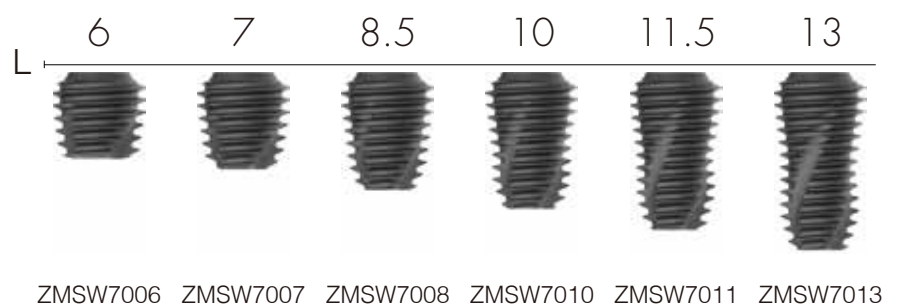
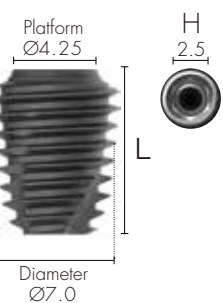
**W**  
Ø5.5  
(mm)








**W**  
Ø6.0  
(mm)


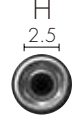








**W**  
Ø7.0  
(mm)











# Special Options

<p><b>Narrow</b> Ø3.0 (mm)</p>  <p>Platform Ø3.0 Diameter Ø3.0</p>	 <p>H 2.1</p>	<p>15</p>  <p>L</p>	<p><b>Mini</b> Ø3.5 (mm)</p>  <p>Platform Ø3.65 Diameter Ø3.5</p>	 <p>H 2.5</p>	<p>15</p>  <p>L</p>
		<p>ZMSN3015</p>			<p>ZMSM3515</p>

<p><b>R</b> Ø4.0 (mm)</p>  <p>Platform Ø3.8 Diameter Ø4.0</p>	 <p>H 2.5</p>	<p>15</p>  <p>L</p>	<p>18</p> 	<p>20</p> 
		<p>ZMSR4015</p>	<p>ZMSR4018</p>	<p>ZMSR4020</p>

<p><b>R</b> Ø4.5 (mm)</p>  <p>Platform Ø4.2 Diameter Ø4.5</p>	 <p>H 2.5</p>	<p>15</p>  <p>L</p>	<p>18</p> 	<p>20</p> 
		<p>ZMSR4515</p>	<p>ZMSR4518</p>	<p>ZMSR4520</p>










<p><b>W</b> Ø5.0 (mm)</p>  <p>Platform Ø4.35 Diameter Ø5.0</p>	 <p>H 2.5</p>	<p>6</p>  <p>L</p>	<p>15</p> 
		<p>ZMSW5006</p>	<p>ZMSW5015</p>

<p><b>W</b> Ø5.5 (mm)</p>  <p>Platform Ø4.7 Diameter Ø5.5</p>	 <p>H 2.5</p>	<p>6</p>  <p>L</p>	<p>15</p> 
		<p>ZMSW5506</p>	<p>ZMSW5515</p>

# Cover Screw

Select appropriate fixture height upon depth of implant placement.  
Select specification fits for fixture connection.

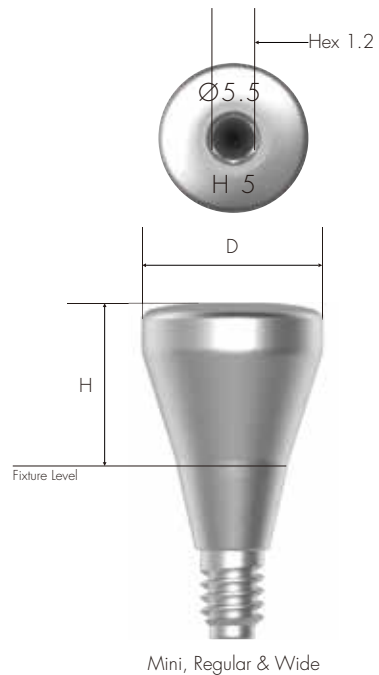
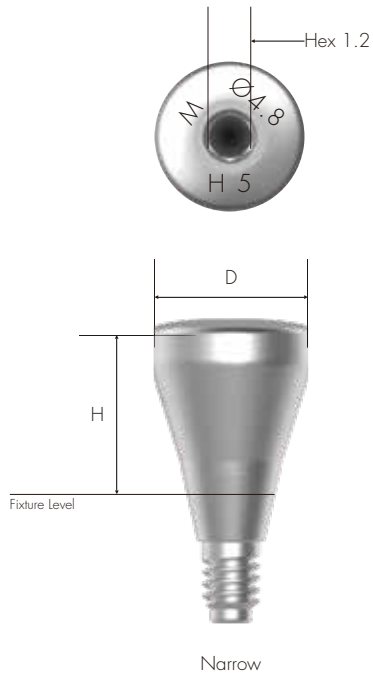
Tighten with 1.2 Hex Driver by hand  
Recommended tightening torque: 5~8Ncm

	H (mm)	0.4	1.4	2.0
<b>Narrow</b>				
		CSSN30S	CSSN30M	CSSN30L
<b>Mini</b>				
		CSSM30S	CSSM30M	CSSM30L
<b>R/W</b>				
		CSSR40S	CSSR40M	CSSR40L

# Healing Abutment

Use Healing Abutment fits for the diameter of abutment.  
 Use specification fits for fixture connection.





Tighten with 1.2 Hex Driver by hand  
 Recommended tightening torque: 5-8Ncm






## Narrow

H (mm)	3.0	4.0	5.0	7.0	9.0	
						
D (mm)	Ø4.3	HATM403	HATM404	HATM405	HATM407	HATM409
	Ø4.8	HATM453	HATM454	HATM455	HATM457	HATM459

## M/R/W

H (mm)	2.0	3.0	4.0	5.0
D (mm)				
Ø4.3	HASR402	HASR403	HASR404	HASR405
Ø4.8	HASR452	HASR453	HASR454	HASR455
Ø5.5	HASR522	HASR523	HASR524	HASR525
Ø6.0	HASR572	HASR573	HASR574	HASR575
Ø6.8	HASR652	HASR653	HASR654	HASR655
Ø8.0		HASR803	HASR804	HASR805
Ø9.0		HASR903	HASR904	HASR905

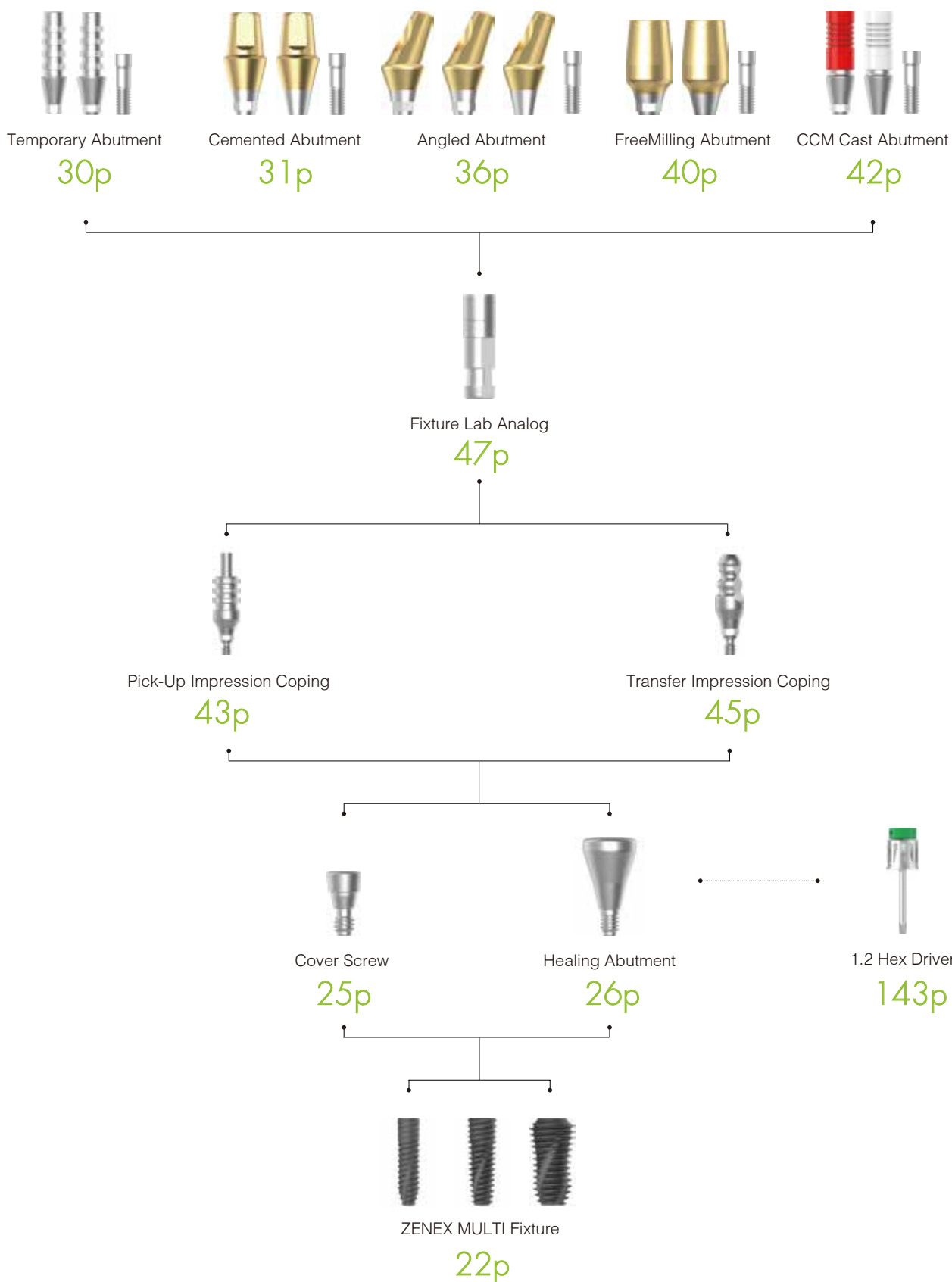
## M/R/W

H (mm)	6.0	7.0	9.0
D (mm)			
Ø4.3	HASR406	HASR407	HASR409
Ø4.8	HASR456	HASR457	HASR459
Ø5.5	HASR526	HASR527	HASR529
Ø6.0	HASR576	HASR577	HASR579
Ø6.8	HASR656	HASR657	HASR659

# IZEN

I M P L A N T

# Prosthetic Flow Chart I



029  
ZENEX  
MULTI



# Temporary Abutment

Abutment for manufacturing Screw-retained type temporary prosthesis

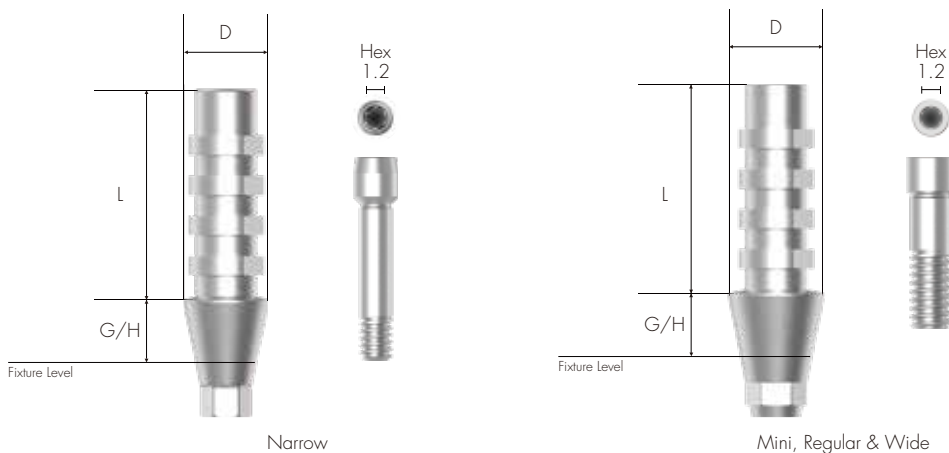
Select specification fits for fixture connection.

Fixture Level Impression

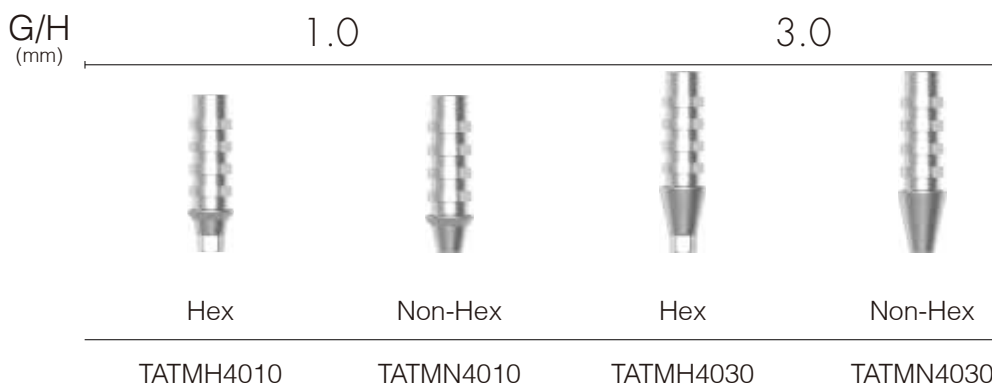
Tighten with 1.2 Hex Driver

Recommended tightening torque: 20Ncm

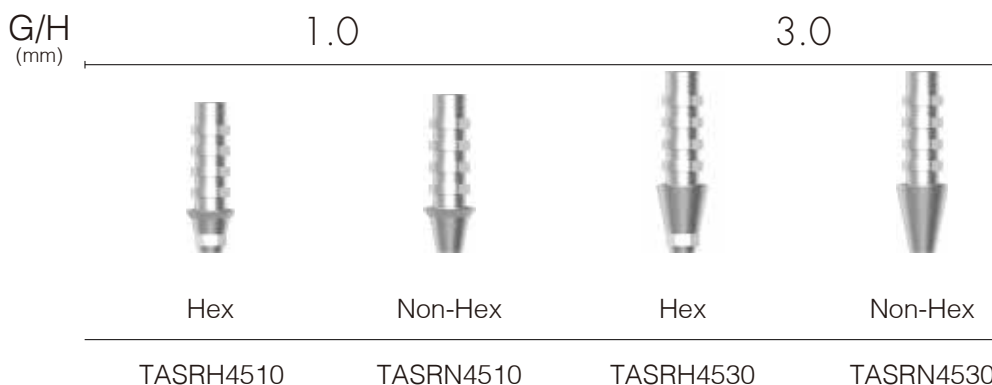
To order as a set as 'Abutment + Abutment Screw'  
: Product Code + S (ex: TASRH4510S)



**Narrow**  
DØ4.0



**M/R/W**  
DØ4.5



030 ZENEX MULTI

# Cemented Abutment

Abutment for manufacturing Cement/Combination-retained type prosthesis

Select specification fits for fixture connection.

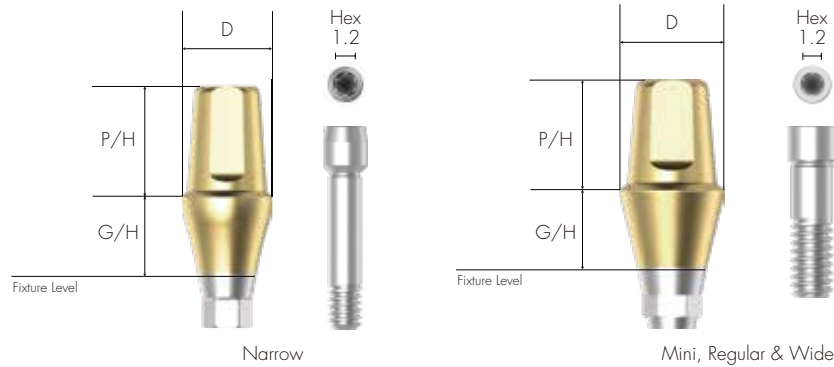
Customized by grinding (need to be maintained at least 3.0mm of Abutment Length above Fixture Platform)

Fixture Level Impression

Tighten with 1.2 Hex Driver

Recommended tightening torque: 30Ncm

To order as a set as 'Abutment + Abutment Screw'  
: Product Code + S (ex: CASRH45104S)



## Narrow DØ4.0

		G/H (mm)	1.0	2.0	3.0	4.0
Hex	P/H (mm)					
	5.5	CATMH40105	CATMH40205	CATMH40305	CATMH40405	
	7.0	CATMH40107	CATMH40207	CATMH40307	CATMH40407	
Non-Hex	5.5	CATMN40105	CATMN40205	CATMN40305	CATMN40405	
	7.0	CATMN40107	CATMN40207	CATMN40307	CATMN40407	

## Narrow DØ4.0

		G/H (mm)	5.0	6.0	7.0
Hex	P/H (mm)				
	5.5	CATMH40505	CATMH40605	CATMH40705	
	7.0	CATMH40507	CATMH40607	CATMH40707	
Non-Hex	5.5	CATMN40505	CATMN40605	CATMN40705	
	7.0	CATMN40507	CATMN40607	CATMN40707	

031 ZENEX MULTI




**Narrow**  
DØ4.5

		G/H (mm)	1.0	2.0	3.0	4.0
		P/H (mm)				
Hex	5.5	CATMH45105	CATMH45205	CATMH45305	CATMH45405	
	7.0	CATMH45107	CATMH45207	CATMH45307	CATMH45407	
Non-Hex	5.5	CATMN45105	CATMN45205	CATMN45305	CATMN45405	
	7.0	CATMN45107	CATMN45207	CATMN45307	CATMN45407	

**Narrow**  
DØ4.5

		G/H (mm)	5.0	6.0	7.0
		P/H (mm)			
Hex	5.5	CATMH45505	CATMH45605	CATMH45705	
	7.0	CATMH45507	CATMH45607	CATMH45707	
Non-Hex	5.5	CATMN45505	CATMN45605	CATMN45705	
	7.0	CATMN45507	CATMN45607	CATMN45707	

**M/R/W**  
DØ4.5

		G/H (mm)	1.0	2.0	3.0	4.0
		P/H (mm)				
Hex	4.0	CASRH45104	CASRH45204	CASRH45304	CASRH45404	
	5.5	CASRH45105	CASRH45205	CASRH45305	CASRH45405	
	7.0	CASRH45107	CASRH45207	CASRH45307	CASRH45407	
Non-Hex	4.0	CASRN45104	CASRN45204	CASRN45304	CASRN45404	
	5.5	CASRN45105	CASRN45205	CASRN45305	CASRN45405	
	7.0	CASRN45107	CASRN45207	CASRN45307	CASRN45407	

M/R/W  
DØ4.5

		G/H (mm)	5.0	6.0	7.0
		P/H (mm)			
Hex	4.0	CASRH45504	CASRH45604	CASRH45704	
	5.5	CASRH45505	CASRH45605	CASRH45705	
	7.0	CASRH45507	CASRH45607	CASRH45707	
Non-Hex	4.0	CASRN45504	CASRN45604	CASRN45704	
	5.5	CASRN45505	CASRN45605	CASRN45705	
	7.0	CASRN45507	CASRN45607	CASRN45707	





M/R/W  
DØ5.2

		G/H (mm)	1.0	2.0	3.0	4.0
		P/H (mm)				
Hex	4.0	CASRH52104	CASRH52204	CASRH52304	CASRH52404	
	5.5	CASRH52105	CASRH52205	CASRH52305	CASRH52405	
	7.0	CASRH52107	CASRH52207	CASRH52307	CASRH52407	
Non-Hex	4.0	CASRN52104	CASRN52204	CASRN52304	CASRN52404	
	5.5	CASRN52105	CASRN52205	CASRN52305	CASRN52405	
	7.0	CASRN52107	CASRN52207	CASRN52307	CASRN52407	

M/R/W  
DØ5.2

		G/H (mm)	5.0	6.0	7.0
		P/H (mm)			
Hex	4.0	CASRH52504	CASRH52604	CASRH52704	
	5.5	CASRH52505	CASRH52605	CASRH52705	
	7.0	CASRH52507	CASRH52607	CASRH52707	
Non-Hex	4.0	CASRN52504	CASRN52604	CASRN52704	
	5.5	CASRN52505	CASRN52605	CASRN52705	
	7.0	CASRN52507	CASRN52607	CASRN52707	

M/R/W  
DØ5.7

		G/H (mm)	1.0	2.0	3.0	4.0
		P/H (mm)				
Hex	4.0	CASRH57104	CASRH57204	CASRH57304	CASRH57404	
	5.5	CASRH57105	CASRH57205	CASRH57305	CASRH57405	
	7.0	CASRH57107	CASRH57207	CASRH57307	CASRH57407	
Non-Hex	4.0	CASRN57104	CASRN57204	CASRN57304	CASRN57404	
	5.5	CASRN57105	CASRN57205	CASRN57305	CASRN57405	
	7.0	CASRN57107	CASRN57207	CASRN57307	CASRN57407	

M/R/W  
DØ5.7

		G/H (mm)	5.0	6.0	7.0
		P/H (mm)			
Hex	4.0	CASRH57504	CASRH57604	CASRH57704	
	5.5	CASRH57505	CASRH57605	CASRH57705	
	7.0	CASRH57507	CASRH57607	CASRH57707	
Non-Hex	4.0	CASRN57504	CASRN57604	CASRN57704	
	5.5	CASRN57505	CASRN57605	CASRN57705	
	7.0	CASRN57507	CASRN57607	CASRN57707	

M/R/W  
DØ6.5

		G/H (mm)	1.0	2.0	3.0	4.0
		P/H (mm)				
Hex	4.0	CASRH65104	CASRH65204	CASRH65304	CASRH65404	
	5.5	CASRH65105	CASRH65205	CASRH65305	CASRH65405	
Non-Hex	4.0	CASRN65104	CASRN65204	CASRN65304	CASRN65404	
	5.5	CASRN65105	CASRN65205	CASRN65305	CASRN65405	

M/R/W  
DØ6.5

	G/H (mm)	5.0	6.0	7.0
	P/H (mm)			
Hex	4.0	CASRH65504	CASRH65604	CASRH65704
	5.5	CASRH65505	CASRH65605	CASRH65705
Non-Hex	4.0	CASRN65504	CASRN65604	CASRN65704
	5.5	CASRN65505	CASRN65605	CASRN65705

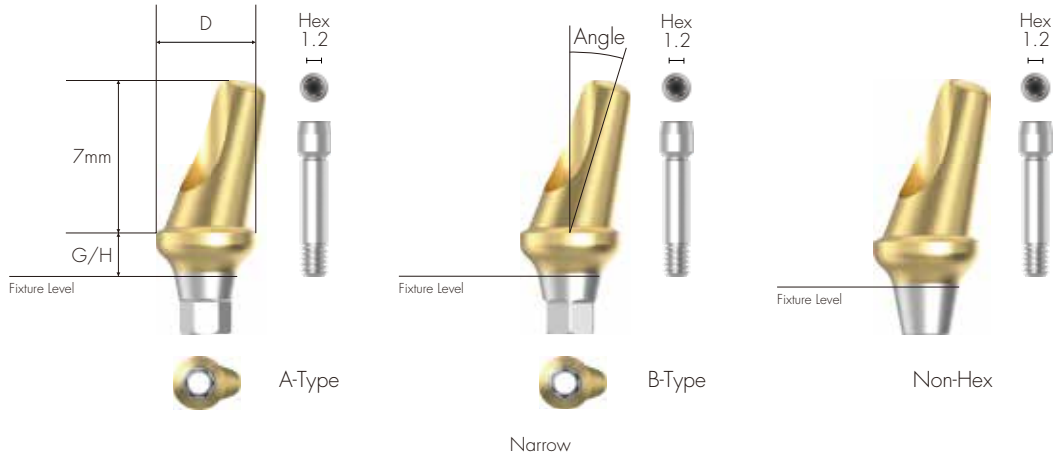
035  
ZENEX  
MULTI

# Angled Abutment

Abutment for manufacturing Cement/Combination-retained type prosthesis  
 Various types of Angle (17° for Ø 3.0 Narrow Fixture / 15° & 25° for Mini, Regular and Wide Fixture [Ø 3.5 ~ Ø 7.0])  
 Select specification fits for fixture connection.  
 Fixture Level Impression  
 Can be positioned in 12 directions by selecting A or B type

Tighten with 1.2 Hex Driver  
 Recommended tightening torque: 30Ncm

To order as a set as 'Abutment + Abutment Screw'  
 : Product Code + S (ex: AASRA45152**S**)



**Narrow**  
 DØ4.0

G/H (mm)	2.0	4.0
Angle	17°	



A-Type

AATMA40172

AATMA40174

B-Type

AATMB40172

AATMB40174

Non-Hex

AATMN40172

AATMN40174

**Narrow**  
 DØ4.5

G/H (mm)	2.0	4.0
Angle	17°	



A-Type

AATMA45172

AATMA45174

B-Type

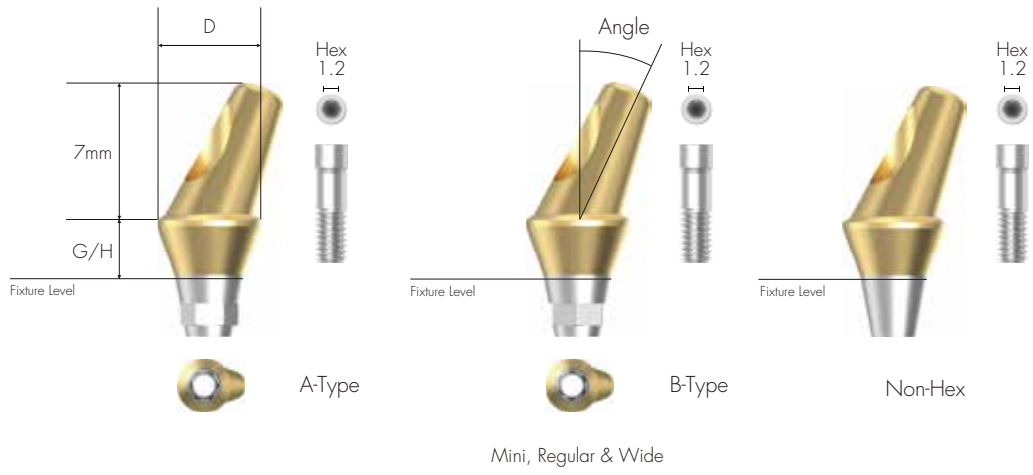
AATMB45172

AATMB45174

Non-Hex

AATMN45172

AATMN45174



M/R/W  
DØ4.5

G/H (mm)	2.0	3.0	4.0
Angle		15°	



A-Type

AASRA45152

AASRA45153

AASRA45154

B-Type

AASRB45152

AASRB45153

AASRB45154

Non-Hex

AASRN45152

AASRN45153

AASRN45154

M/R/W  
DØ5.2

G/H (mm)	2.0	3.0	4.0
Angle		15°	



A-Type

AASRA52152

AASRA52153

AASRA52154

B-Type

AASRB52152

AASRB52153

AASRB52154

Non-Hex

AASRN52152

AASRN52153

AASRN52154



M/R/W  
DØ5.7

G/H (mm)	2.0	3.0	4.0
Angle	15°		



A-Type	AASRA57152	AASRA57153	AASRA57154
B-Type	AASRB57152	AASRB57153	AASRB57154
Non-Hex	AASRN57152	AASRN57153	AASRN57154

M/R/W  
DØ4.5

G/H (mm)	2.0	3.0	4.0
Angle	25°		



A-Type	AASRA45252	AASRA45253	AASRA45254
B-Type	AASRB45252	AASRB45253	AASRB45254
Non-Hex	AASRN45252	AASRN45253	AASRN45254

M/R/W  
DØ5.2

G/H (mm)	2.0	3.0	4.0
Angle	25°		



A-Type	AASRA52252	AASRA52253	AASRA52254
B-Type	AASRB52252	AASRB52253	AASRB52254
Non-Hex	AASRN52252	AASRN52253	AASRN52254

M/R/W  
DØ5.7

G/H  
(mm)  
Angle

2.0

3.0

4.0

25°



A-Type

AASRA57252

AASRA57253

AASRA57254

B-Type

AASRB57252

AASRB57253

AASRB57254

Non-Hex

AASRN57252

AASRN57253

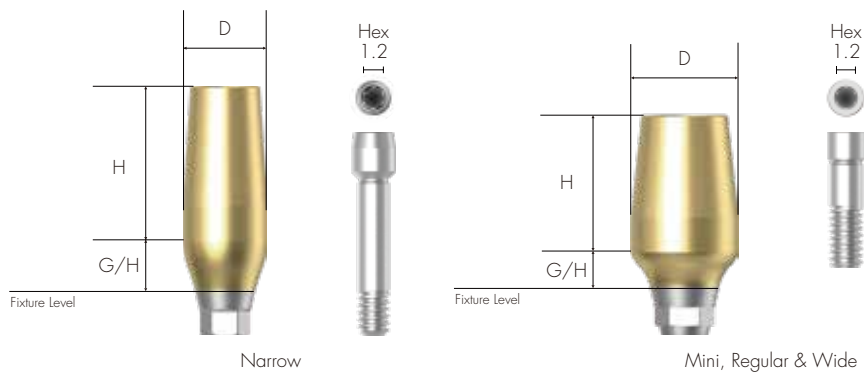
AASRN57254

# FreeMilling Abutment

Abutment for manufacturing Cement/Combination-retained type prosthesis  
 Used when creating free marginal space for Abutment  
 Select specification fits for fixture Connection  
 Customized by grinding (need to be maintained at least 3.0mm of Abutment Length above Fixture Platform)  
 Fixture Level Impression

Tighten with 1.2 Hex Driver  
 Recommended tightening torque: 30Ncm  
 When using a Narrow Fixture (Ø 3.0), use Mini Type FreeMilling Abutment of T-System.

To order as a set as 'Abutment + Abutment Screw'  
 : Product Code + S (ex: FMASRH52208S)



040 ZENEX MULTI

## Narrow

DØ4.0  
 H: 9.0mm



Hex

FMATMH40159



Non-Hex

FMATMN40159



Hex

FMATMH40309



Non-Hex

FMATMN40309

## M/R/W

DØ4.5  
 H: 9.0mm



Hex

FMASRH45209



Non-Hex

FMASRN45209



Hex

FMASRH45409



Non-Hex

FMASRN45409

**M/R/W**  
DØ5.2  
H: 8.0mm



**M/R/W**  
DØ5.7  
H: 8.0mm



**M/R/W**  
DØ6.5  
H: 8.0mm



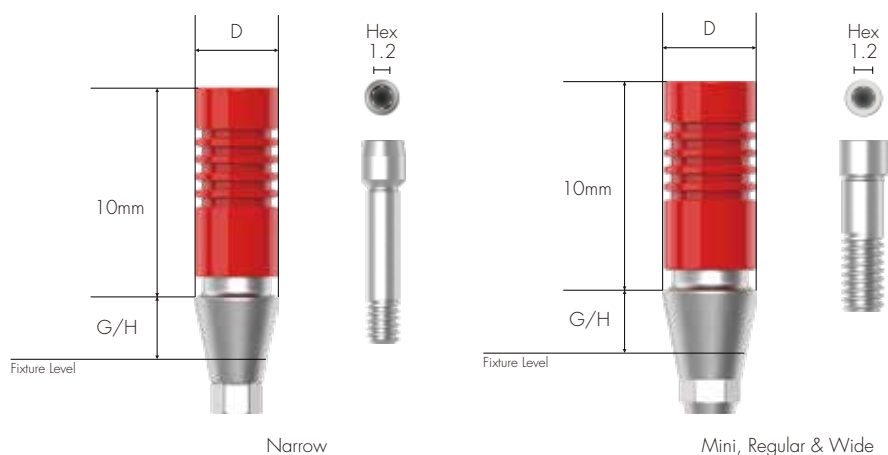
041 ZENEX  
MULTI

# CCM Cast Abutment

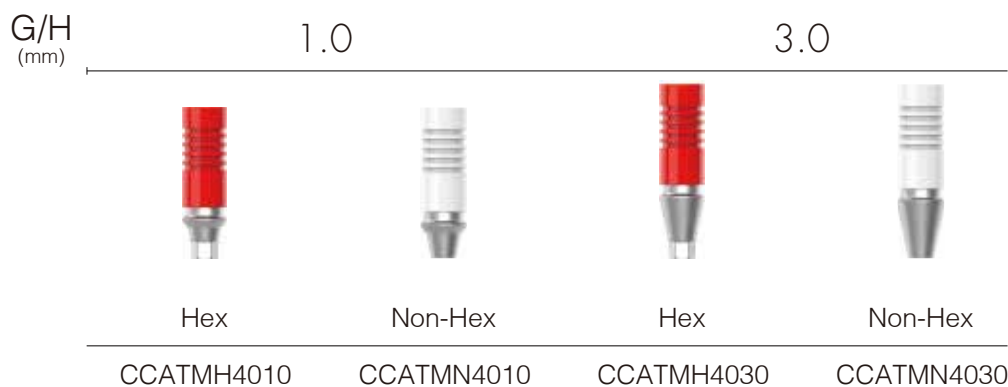
Abutment for manufacturing customized abutment in difficult and complicated cases  
 Select specification fits for fixture connection  
 Fixture Level Impression  
 Casting with non-precious alloy for manufacturing customized prosthesis  
 Melting point of CCM : 1,400 ~ 1,550°C

Tighten with 1.2 Hex Driver  
 Recommended tightening torque: 30Ncm

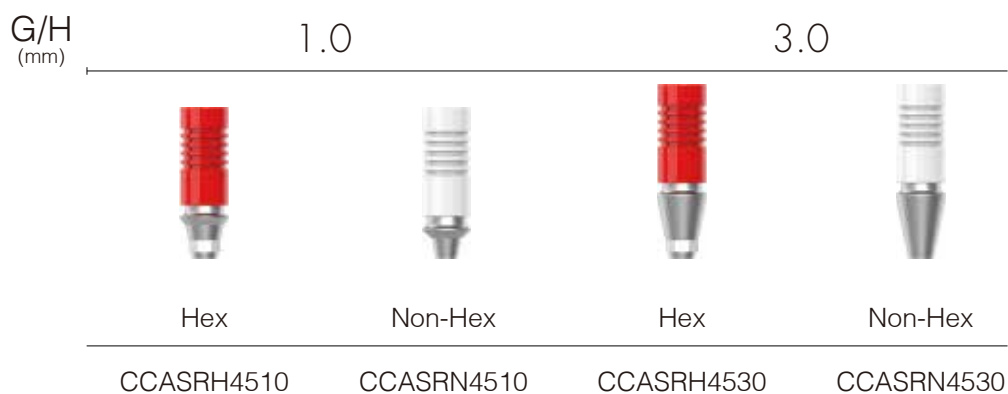
To order as a set as 'Abutment + Abutment Screw'  
 : Product Code + S (ex: CCASRH4510S)



## Narrow DØ4.0



## M/R/W DØ4.5

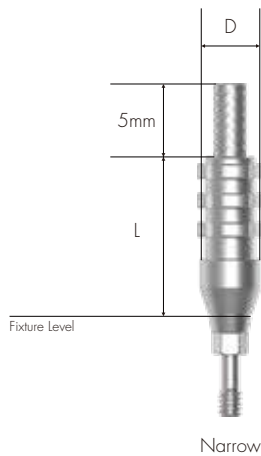


# Pick-Up Impression Coping

Components for Fixture Level Impression  
 Open Tray Type  
 Select specification fits for fixture connection  
 Enables accurate impression with design of stably fixed in impression material

Tighten with 1.2 Hex Driver by hand

To order as a set as 'Impression Coping Body + Guide Pin'  
 : [For 11mm Length] Product Code + S (ex: PISRH40SS)  
 [For 15mm Length] Product Code + S (ex: PISRH40LS)









Narrow



Mini, Regular & Wide

043 ZENEX MULTI

		L (mm)		11.0		Guide Pin S	
		Hex	Non-Hex				
							
Narrow	D (mm)					PIGPTMS	
	Ø4.0	PITMH40S	PITMN40S				
	Ø4.5	PITMH45S	PITMN45S				
M/R/W	Ø4.0	PISRH40S	PISRN40S				
	Ø4.8	PISRH45S	PISRN45S				
	Ø5.5	PISRH52S	PISRN52S				
	Ø6.0	PISRH57S	PISRN57S				
	Ø6.8	PISRH65S	PISRN65S			PIGPSRS	

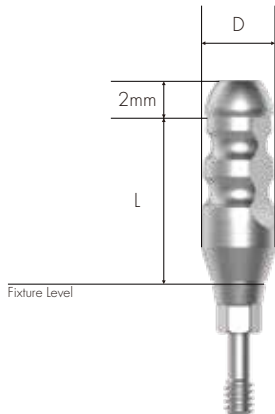
		L (mm)		15.0		Guide Pin L	
		Hex	Non-Hex				
		D (mm)					
<b>Narrow</b>	Ø4.0	PITMH40L	PITMN40L	}	PIGPTML		
	Ø4.5	PITMH45L	PITMN45L				
<b>M/R/W</b>	Ø4.0	PISRH40L	PISRN40L	}	PIGPSRL		
	Ø4.8	PISRH45L	PISRN45L				
	Ø5.5	PISRH52L	PISRN52L				
	Ø6.0	PISRH57L	PISRN57L				
	Ø6.8	PISRH65L	PISRN65L				

# Transfer Impression Coping

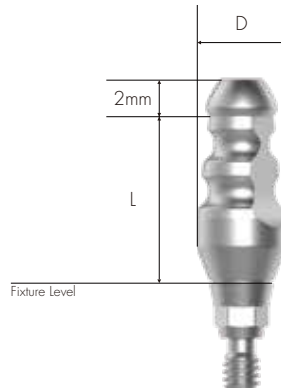
Components for Fixture Level Impression  
 Closed Tray Type  
 Select specification fits for fixture connection  
 Streamlined Shape: Easy to transfer  
 Anti-Rotation Grooves accord with Hex of fixture

Tighten with 1.2 Hex Driver by hand

To order as a set as 'Impression Coping Body + Guide Pin'  
 : [For 9mm Length] Product Code + S (ex: TISRH40S)  
 [For 13mm Length] Product Code + S (ex: TISRH40LS)



Narrow







Mini, Regular & Wide

045 ZENEX MULTI

	L (mm)	9.0		Guide Pin S	
		Hex	Non-Hex		
Narrow	Ø4.0	TITMH40S	TITMN40S	TIGPTMS	
	Ø4.5	TITMH45S	TITMN45S		
	Ø4.0	TISRH40S	TISRN40S		
M/R/W	Ø4.8	TISRH45S	TISRN45S	TIGPSRS	
	Ø5.5	TISRH52S	TISRN52S		
	Ø6.0	TISRH57S	TISRN57S		
	Ø6.8	TISRH65S	TISRN65S		



		L (mm) 13.0		Guide Pin L	
		Hex	Non-Hex		
					
D (mm)					
<b>Narrow</b>	Ø4.0	TITMH40L	TITMN40L	TIGPTML	
	Ø4.5	TITMH45L	TITMN45L		
<b>M/R/W</b>	Ø4.0	TISRH40L	TISRN40L	TIGPSRL	
	Ø4.8	TISRH45L	TISRN45L		
	Ø5.5	TISRH52L	TISRN52L		
	Ø6.0	TISRH57L	TISRN57L		
	Ø6.8	TISRH65L	TISRN65L		

# Fixture Lab Analog

Lab Analog for Fixture Level Impression

Select among Fixture Diameter ( $\varnothing$  3.0 /  $\varnothing$  3.5 /  $\varnothing$  4.0 and above)



**Narrow**  
D $\varnothing$ 3.2



FLASN300

**Mini**  
D $\varnothing$ 3.75



FLASM350

**R/W**  
D $\varnothing$ 4.25



FLASR400

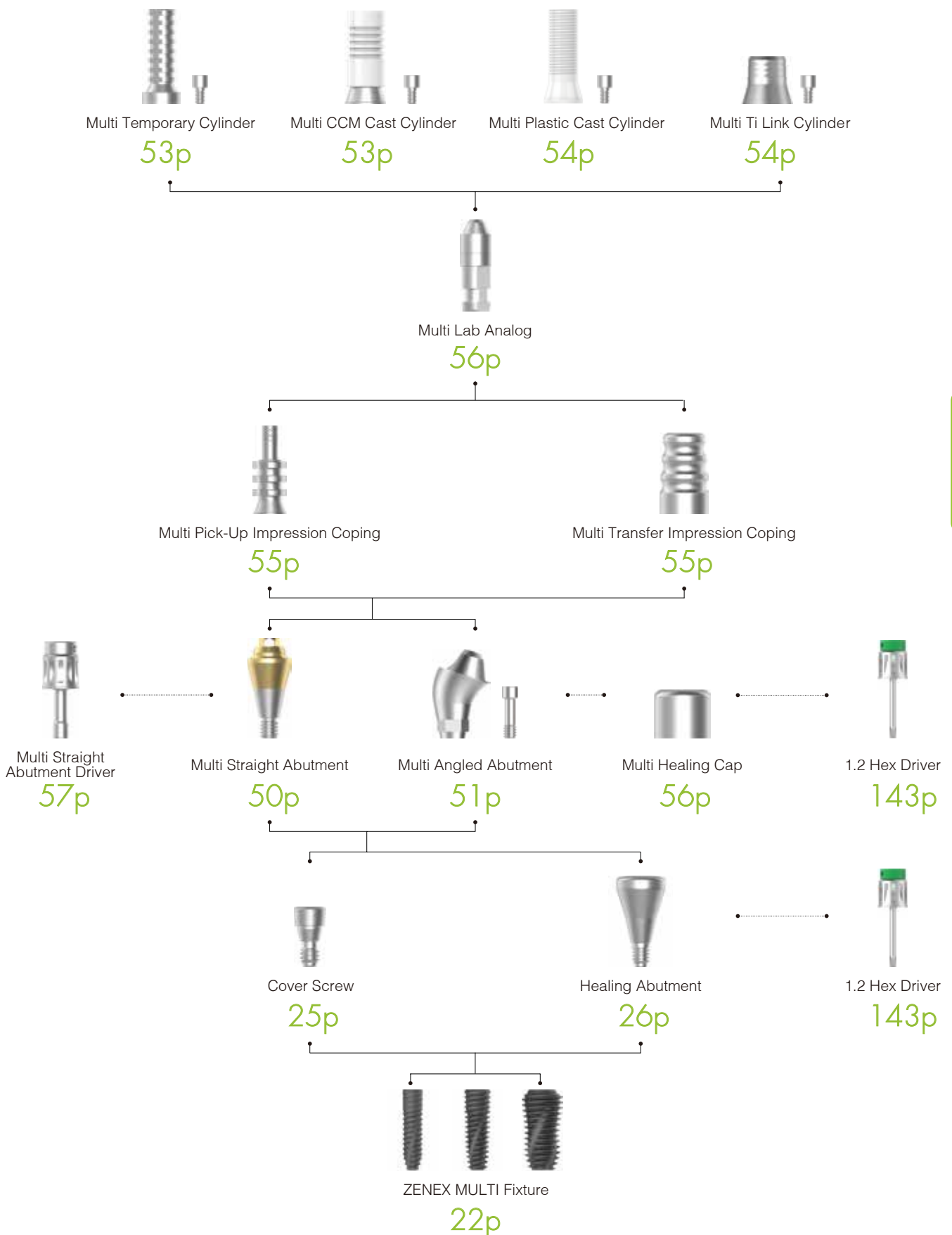
047  
ZENEX  
MULTI

048 ZENEX  
MULTI

# IZEN

I M P L A N T

# Prosthetic Flow Chart II



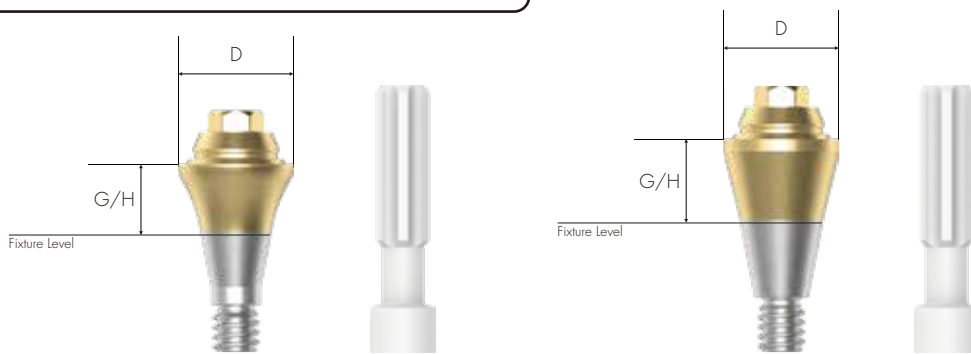
049 ZENEX MULTI

# Multi Straight Abutment

Abutment for manufacturing screw-retained prosthesis in Multiple Case  
 Same platform as Multi Angled Abutment  
 Move into internal oral part by using exclusive Abutment Carrier (Code: MSACR48)

Tighten with exclusive driver (Code: MSADSR20)  
 Recommended tightening torque: 30Ncm

To order as a set as 'Abutment + Carrier'  
 : Product Code + S (ex: MSASR4815S)



Narrow

Mini, Regular & Wide

## Narrow DØ4.8

G/H (mm)    1.0                    2.0                    3.0                    4.0                    5.0



MSATM4810    MSATM4820    MSATM4830    MSATM4840    MSATM4850

## M/R/W DØ4.8

G/H (mm)    1.5                    2.5                    3.5                    4.5



MSASR4815    MSASR4825    MSASR4835    MSASR4845

# Multi Angled Abutment

Abutment for manufacturing screw-retained prosthesis in Multiple Case  
 Abutment of various angles (17°, 30°) for various angled of implant insertion path  
 Same platform as Multi Straight Abutment  
 Compensation of fixture placement angle up to 108°  
 Connect by using exclusive Abutment Carrier (Code: MAACRMC)

Tighten with 1.2 Hex Driver

Recommended tightening torque: 30Ncm

Multi Angled Abutment Screw (MAASTM20 for Mini & MAASSR23 for Regular and Wide) included

To order as a set as 'Abutment + Screw + Carrier'  
 : Product Code + S (ex: MAASRH481725S)



051 ZENEX MULTI

## Narrow DØ4.8

G/H (mm)	2.5	3.0	4.0
----------	-----	-----	-----

Angle  
17°



MAATMH481725    MAATMH481730    MAATMH481740

## Narrow DØ4.8

G/H (mm)	3.5	4.0	5.0
----------	-----	-----	-----

Angle  
30°



MAATMH483035    MAATMH483040    MAATMH483050

M/R/W  
DØ4.8

G/H  
(mm)

2.5

3.5

4.5

5.5

Angle  
17°



Hex

MAASRH481725

MAASRH481735

MAASRH481745

MAASRH481755

Non-Hex

MAASRN481725

MAASRN481735

MAASRN481745

MAASRN481755

M/R/W  
DØ4.8

G/H  
(mm)

3.5

4.5

5.5

6.5

Angle  
30°



Hex

MAASRH483035

MAASRH483045

MAASRH483055

MAASRH483065

Non-Hex

MAASRN483035

MAASRN483045

MAASRN483055

MAASRN483065

# Multi Temporary Cylinder

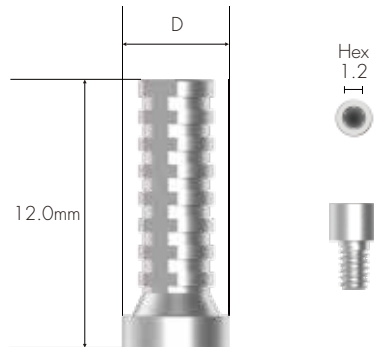
Multi Cylinder for making Combination-retained prosthesis from Multi Abutment  
For manufacturing Screw-retained temporary Abutment

Tighten with 1.2 Hex Driver

Recommended tightening torque: 20Ncm

Multi Cylinder Screw (MTCSR23) included

To order as a set as 'Cylinder + Multi Cylinder Screw'  
: Product Code + S (ex: MTCSR48S)



DØ4.8

MTCSR48

053  
ZENEX  
MULTI

# Multi CCM Cast Cylinder

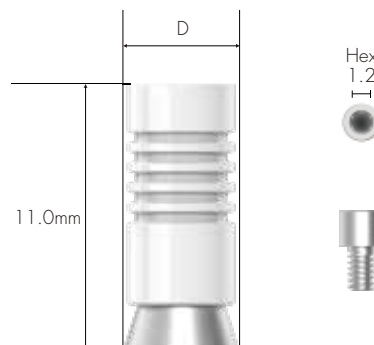
Multi Cylinder for making Screw-retained prosthesis from Multi Abutment  
Casting with non-precious alloy for manufacturing customized prosthesis  
Melting point of CCM : 1,400 ~ 1,550°C

Tighten with 1.2 Hex Driver

Recommended tightening torque: 20Ncm

Multi Cylinder Screw (MTCSR23) included

To order as a set as 'Cylinder + Multi Cylinder Screw'  
: Product Code + S (ex: MCCC48S)



DØ4.8

MCCC48



# Multi Plastic Cast Cylinder

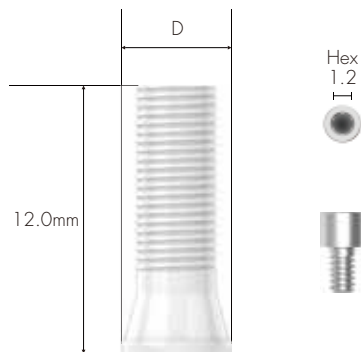
Multi Cylinder for making Screw-retained prosthesis from Multi Abutment

Tighten with 1.2 Hex Driver

Recommended tightening torque: 20Ncm

Multi Cylinder Screw (MTCSR23) included

To order as a set as 'Cylinder + Multi Cylinder Screw'  
: Product Code + S (ex: MPCCSRN48S)



DØ5.0

MPCCSRN48

# Multi Ti Link Cylinder

Multi Cylinder for making Combination-retained prosthesis from Multi Abutment

Use when producing Customized Abutment (Titanium & Zirconia) and Crown by CAD/CAM equipment

Use exclusive implant library of ZENEX MULTI Implant System

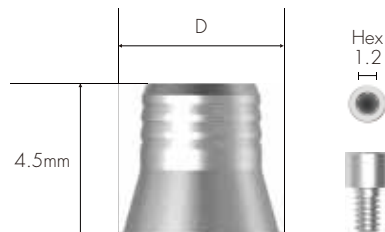
Abutment Level Impression

Tighten with 1.2 Hex Driver

Recommended tightening torque: 20Ncm

Multi Cylinder Screw (MTCSR23) included

To order as a set as 'Cylinder + Multi Cylinder Screw'  
: Product Code + S (ex: MTLCSRN48S)



DØ4.8

MTLCSRN48

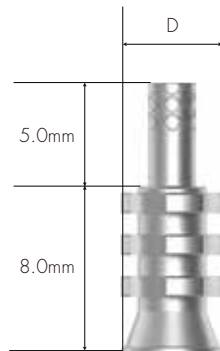
# Multi Pick-Up Impression Coping

Components for taking Abutment Level impression for Multi Abutment Open Tray Type

Tighten with 1.2 Hex Driver by hand

Multi Pick-up Impression Coping Guide Pin (MPICSRGP) included

To order as a set as 'Impression Coping body + Guide Pin'  
: Product Code + S (ex: MPICSR48S)



DØ4.8

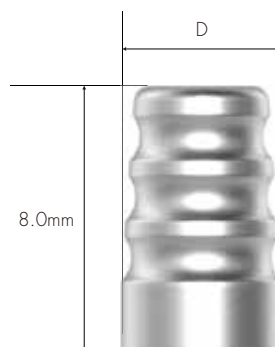
MPICSR48

055  
ZENEX  
MULTI

# Multi Transfer Impression Coping

Components for taking Abutment Level impression for Multi Abutment Closed Tray Type

Tighten with 1.2 Hex Driver by hand



DØ4.8

MTICSR48

# Multi Lab Analog

Lab Analog for Multi Abutment



MLASR48

056  
ZENEX  
MULTI

# Multi Healing Cap

Protect Cap for Multi Abutment

Tighten with 1.2 Hex Driver by hand



$D\varnothing 4.8$

MHCSR48

# Multi ScanBody

ScanBody for Multi Abutment

ScanBody for manufacturing customized Titanium abutment  
Use for Oral scan (Model scan available as well)

Tighten with 1.2 Hex Driver by hand

To order as a set as 'ScanBody + ScanBody Screw'  
: Product Code + S (ex: MSBSR4809S)



MSBSR4809

057  
ZENEX  
MULTI

# Multi Straight Abutment Driver

Torque driver for Multi Straight Abutment



MSADSR20

058 ZENEX  
MULTI

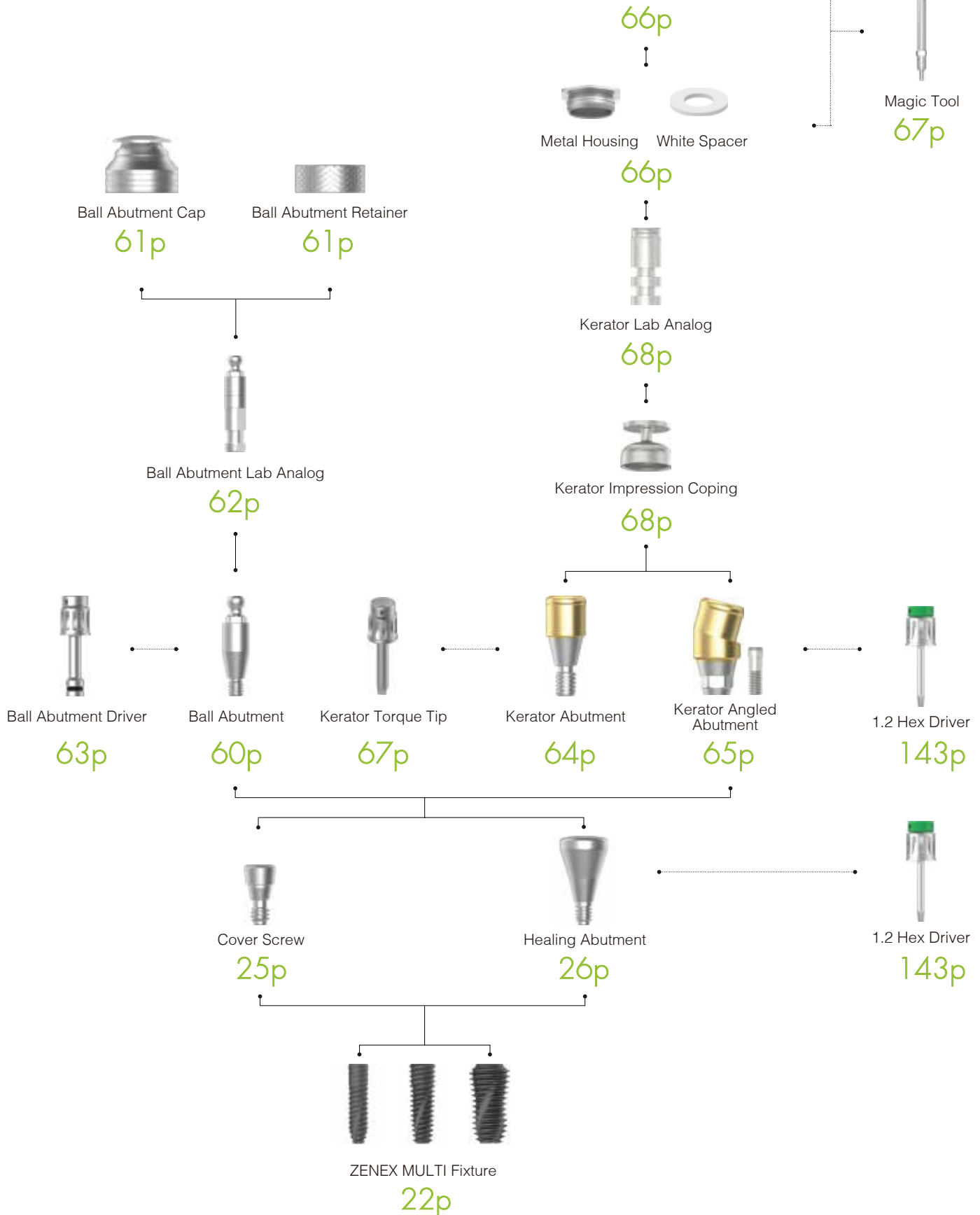
# IZEN

I M P L A N T

# Prosthetic Flow Chart III

0 lbs    2.4 lbs    1.2 lbs    4 lbs

Angled    Light Angled    Extra light Angled

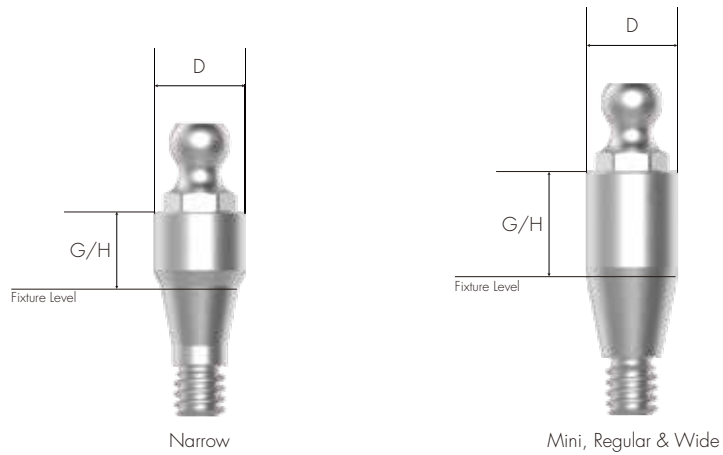


059  
ZENEX  
MULTI

# Ball Abutment

Abutment for overdenture using O-ring attachment  
 Compensation of mounting angle up to 20°

Tighten with exclusive Ball Abutment Driver (Code: BAD24)  
 Recommended tightening torque: 30Ncm



060 ZENEX  
 MULTI

G/H (mm)	1.0	2.0	3.0	4.0	5.0	6.0
<b>Narrow</b> DØ3.5						
	BATM3510	BATM3520	BATM3530	BATM3540	BATM3550	BATM3560

G/H (mm)	1.0	2.0	3.0	4.0	5.0	6.0
<b>M/R/W</b> DØ3.5						
	BASR3510	BASR3520	BASR3530	BASR3540	BASR3550	BASR3560

# Ball Abutment Cap Set

O-ring attachment for Ball Abutment

Replace O-ring on Ball Abutment Cap

Packing Unit: Ball Abutment Cap + Ball Abutment Lab O-ring



BASRCS

061 ZENEX  
MULTI

# Ball Abutment Retainer Set

Use in case lack of vertical diameter comparing to Ball Abutment Retainer

Packing Unit: Ball Abutment Retainer + Ball Abutment Lab O-ring



BASRRS



# Ball Abutment O-ring Set

O-ring set

Packing Unit: Ball Abutment O-ring 5 EA



BASROS

# Ball Abutment Lab Analog

Lab Analog for Ball Abutment



BAALA

# Ball Abutment Driver

Torque driver for Ball Abutment



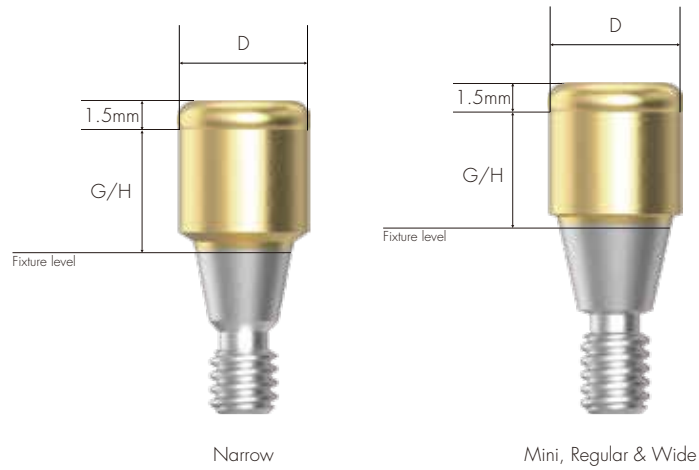
BAD24

063  
ZENEX  
MULTI

# Kerator Abutment

Compensation of fixture placement angle up to 40°  
 1.5mm lower vertical dimension  
 Composition of multiple attachments with stable retention

Connect with exclusive driver  
 Recommended tightening torque: 30Ncm



064 ZENEX MULTI

## Narrow DØ3.7

G/H (mm)	1.0	2.0	3.0	4.0	5.0	6.0
						
	G351	G352	G353	G354	G355	G356

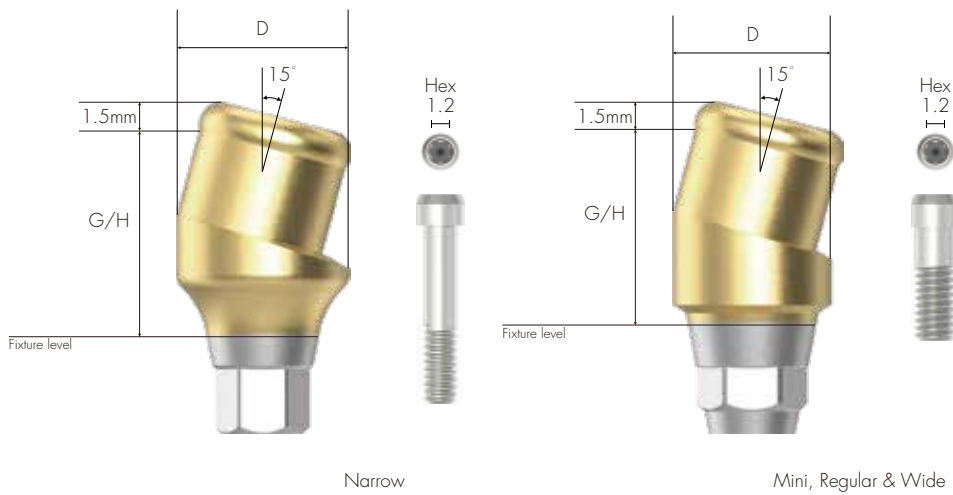
## M/R/W DØ3.7

G/H (mm)	1.0	2.0	3.0	4.0	5.0	6.0
						
	SQ351	SQ352	SQ353	SQ354	SQ355	SQ356

# Kerator Angled Abutment

1.5mm lower vertical dimension  
Composition of multiple attachments with stable retention

Connect with 1.2 Hex driver  
Recommended tightening torque: 30Ncm



## Narrow DØ3.7

G/H (mm) ——— 1.5 ——— 3.0



G35AN1.5



G35AN3.0

## M/R/W DØ3.7

G/H (mm) ——— 1.5 ——— 3.0



SQ35AN1.5



SQ35AN3.0

# Kerator CDPH Set

Composition: White spacer / denture cap connected black processing male & Replacement male (Red, Blue & Pink)

Select replacement male of adequate retention to use according to cases

Replace replacement male by using Kerator Magic tool



CDPH SET

066 ZENEX  
MULTI

# Kerator Male Cap

Retention power of KERATOR male cap is down (up to 20%) and red cap(angle) is included in the male package

Colors of cap determine retention power and it minimizes Denture Repair even there is any continuous bone loss



# Kerator Magic Tool

Use to connect and remove replacement male on denture cap  
As separated into two pieces, it is easy to maintenance



KMT002

067  
ZENEX  
MULTI

# Kerator Torque Tip

Torque driver for Kerator Abutment

Round Type



KMD719

# Kerator Impression Coping

Pick-Up Impression Coping for Kerator abutment  
Closed Tray Type



DKI4845

# Kerator Lab Analog

Lab Analog for Kerator Abutment



DKA3854

**IZEN**  
I M P L A N T

069  
ZENEX  
MULTI



# Prosthetic Flow Chart IV



Ti Link Abutment

72p



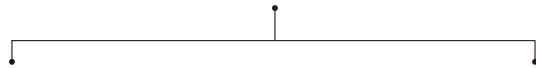
Ti Blank Abutment

73p



Fixture Lab Analog

47p



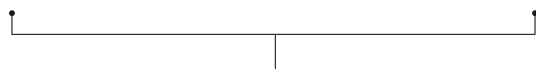
Pick-Up Impression Coping

43p



Transfer Impression Coping

45p



Cover Screw

25p



Healing Abutment

26p



1.2 Hex Driver

143p



ZENEX MULTI Fixture

22p

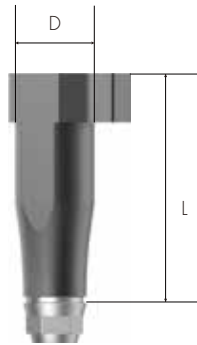
070 ZENEX MULTI

# ScanBody

ScanBody for manufacturing customized Titanium abutment  
Use for Oral scan (Model scan available as well)

Tighten with 1.2 Hex Driver by hand

To order as a set as 'ScanBody + ScanBody Screw'  
: Product Code + S (ex: ISBR4310S)



**Narrow**  
DØ4.0

L : 14mm



TSBM4014



**Mini**  
DØ4.0

L : 14mm



ISBM4014



**R/W**  
DØ4.3

L : 10mm



ISBR4310



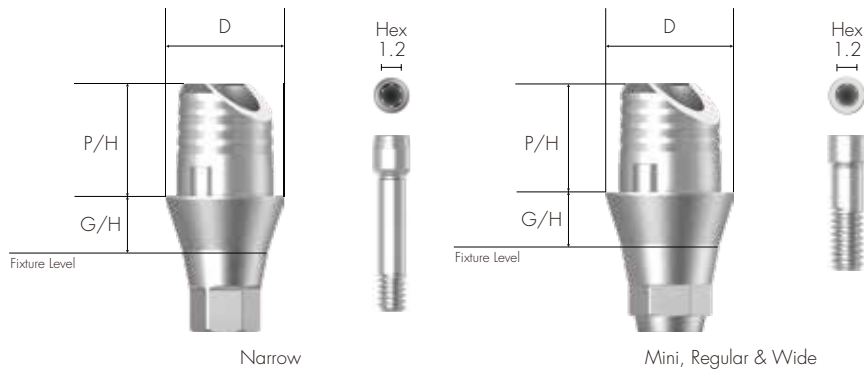
071 ZENEX  
MULTI

# Ti Link Abutment

Abutment for manufacturing Cement/Combination-retained type prosthesis  
 For manufacturing custom abutment (Titanium & Zirconia) and crown by CAD/CAM equipment  
 Select specification fits for fixture Connection  
 Use exclusive library for ZENEX MULTI Implant system  
 Fixture Level Impression

Tighten with 1.2 Hex Driver  
 Recommended tightening torque: 30Ncm

To order as a set as 'Abutment + Screw'  
 : Product Code + S (ex: TLASRH4520S)



072 ZENEX MULTI

## Narrow DØ4.0

G/H (mm)	1.0		2.0	
P/H (mm)	3.8			
	Hex	Non-Hex	Hex	Non-Hex
	TLATMH4010	TLATMN4010	TLATMH4020	TLATMN4020

## M/R/W DØ4.5

G/H (mm)	1.0		2.0	
P/H (mm)	3.8			
	Hex	Non-Hex	Hex	Non-Hex
	TLASRH4510	TLASRN4510	TLASRH4520	TLASRN4520

# Ti Blank Abutment

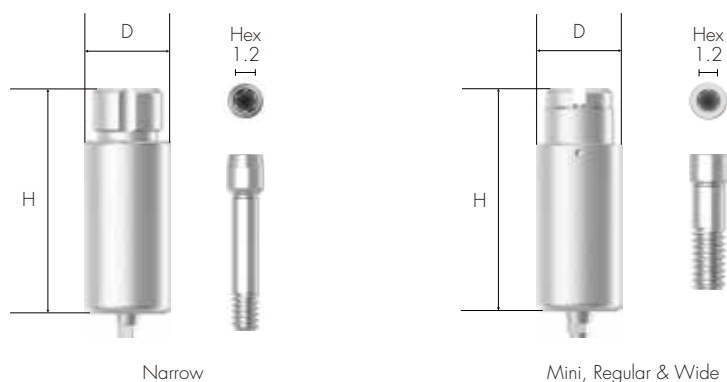
Manufacturing customized abutment with milling machine  
 Select specification fits for fixture Connection  
 Digital Impression

Tighten with 1.2 Hex Driver

Recommended tightening torque: 30Ncm

Product line-up applied for various milling machine brands  
 (Milling machine manufacturer: Doowon, Manix, Vatech, RND)

To order as a set as 'Abutment + Screw'  
 : Product Code + S (ex: TBASRH10AS)



073 ZENEX MULTI

## For Arum Narrow DØ10



## M/R/W DØ10



**For Manix**  
**Narrow**  
DØ10



**M/R/W**  
DØ10



**ZENEX PLUS**  
**I-System**



---

# ZENEX PLUS I-System

---

## COMPOSITION

080 ZENEX PLUS I-System Fixture

083 Cover Screw

084 Healing Abutment

**087 PROSTHETIC FLOW CHART I**

088 Temporary Abutment

089 Cemented Abutment

093 Angled Abutment

097 FreeMilling Abutment

099 CCM Cast Abutment

100 Pick-Up Impression Coping

102 Transfer Impression Coping

104 Fixture Lab Analog

**106 PROSTHETIC FLOW CHART II**

107 Multi Straight Abutment

108 Multi Angled Abutment

109 Components of Multi Abutment

**115 PROSTHETIC FLOW CHART III**

116 Ball Abutment

117 Components of Ball Abutment

120 Kerator Abutment

121 Kerator Angled Abutment

122 Components of Kerator Abutment

**127 PROSTHETIC FLOW CHART IV**

128 ScanBody

129 Ti Link Abutment

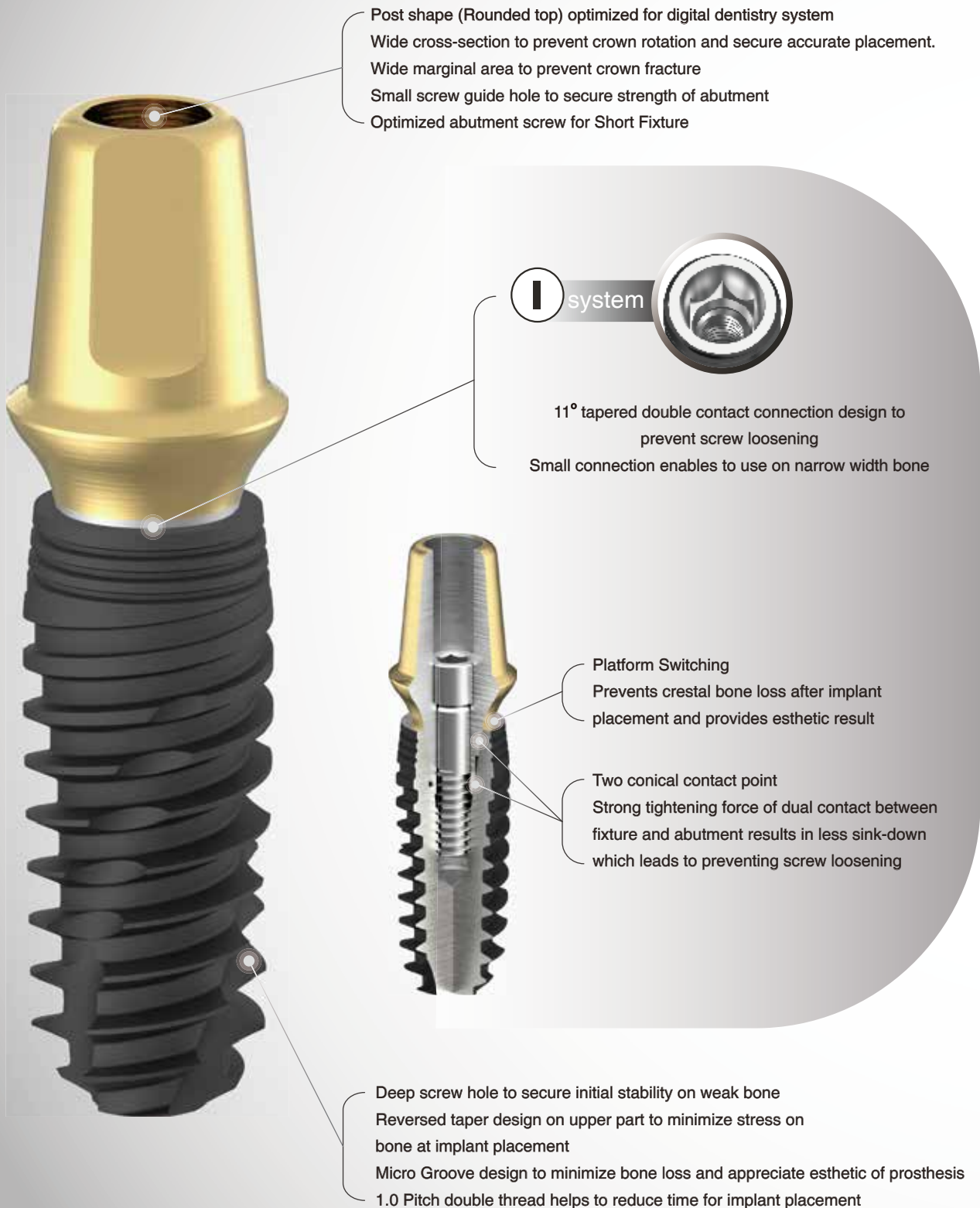
130 Ti Blank Abutment



# ZENEX PLUS I-System

## - Design features

- Designed for various types of bone



# ZENEX PLUS Implant

## - Surface features

SEM MAG:30X

SLA surface  
( $\text{Al}_2\text{O}_3$  powder Sand-blast and Acid Etched)

- SLA surface for presenting ideal surface shape
- Surface Roughness Ra 2.0~3.0  $\mu\text{m}$
- Safe surface with no residual acid
- Safer than other implants  
(Proved by ICP/IC Analysis)

SEM MAG:5000X

# ZENEX PLUS Fixture I-System

Reversed taper design on upper part to minimize stress on bone when an implant is placed.

SLA surface implant

Micro Groove design to minimize bone loss and appreciate esthetic of prosthesis

Deep screw hole to secure initial stability on weak bone

Recommended torque for implant placement: Less than 40Ncm

For X-Narrow Fixture (Ø 3.0)

- Easy angle compensation for anterior part and use for narrow width bone
- 1.7 Double Hex

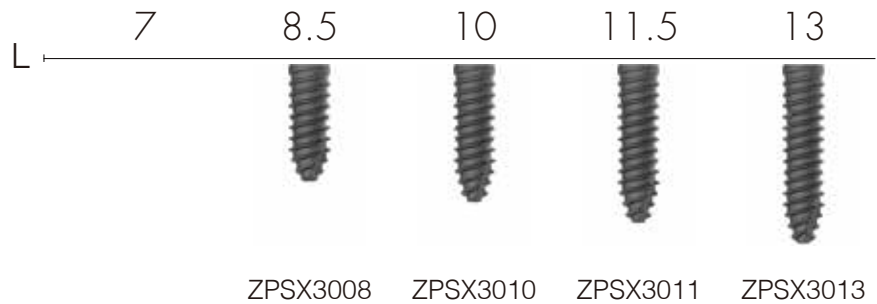
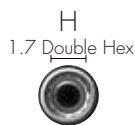
\* Recommend to use fixture bigger than Ø4.5 mm for single case in posterior area

\* Incompatible to use other brands' prosthetic products for Short Fixture (less than 7mm length) in case of I-System

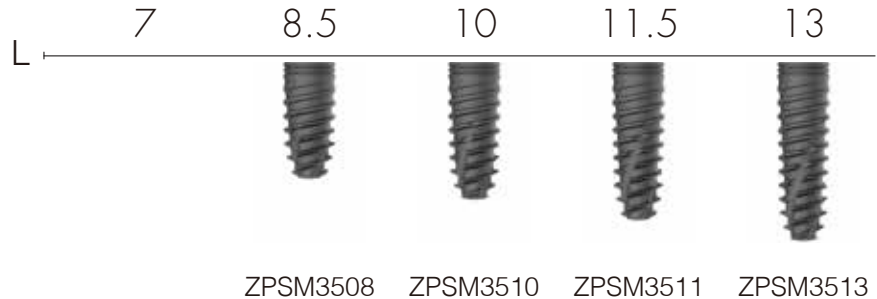
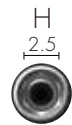
**Cover Screw not included in the Fixture package.**

ZENEX PLUS 080

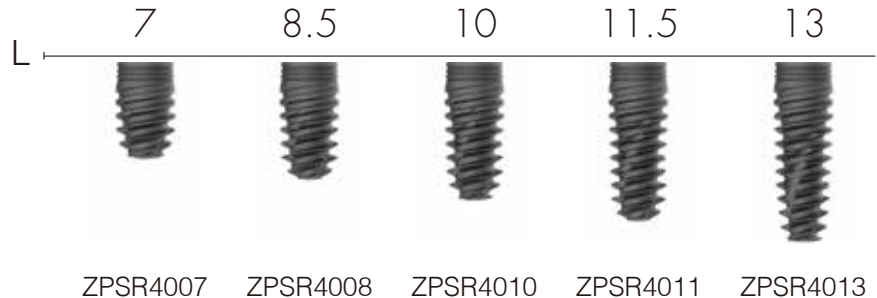
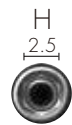
## X-Narrow Ø3.0 (mm)



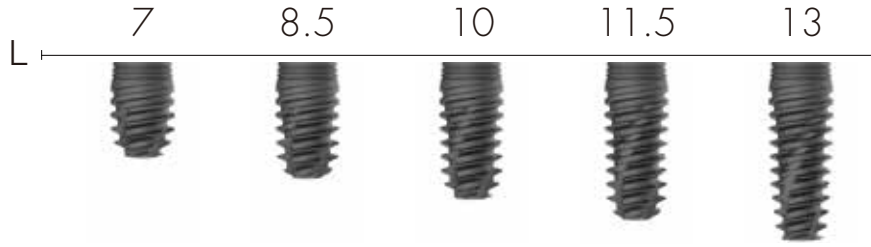
## Mini Ø3.5 (mm)



## R Ø4.0 (mm)

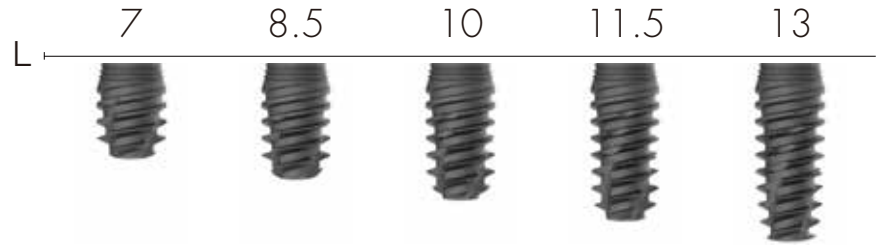


**R**  
Ø4.5  
(mm)



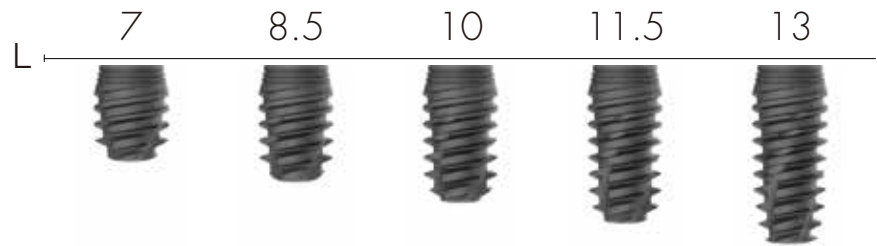
ZPSR4507   ZPSR4508   ZPSR4510   ZPSR4511   ZPSR4513

**W**  
Ø5.0  
(mm)



ZPSW5007   ZPSW5008   ZPSW5010   ZPSW5011   ZPSW5013

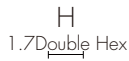
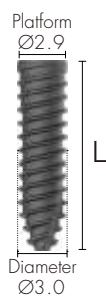
**W**  
Ø5.5  
(mm)



ZPSW5507   ZPSW5508   ZPSW5510   ZPSW5511   ZPSW5513

# Special Options

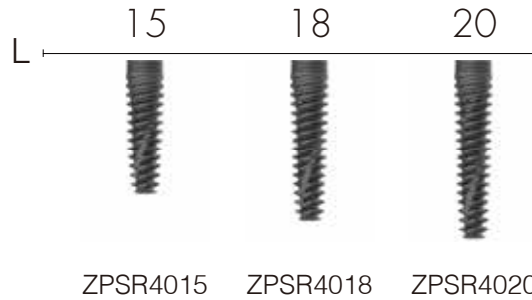
**X-Narrow**  
Ø3.0  
(mm)



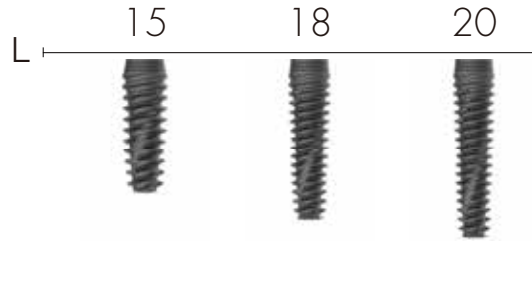
**M**  
Ø3.5  
(mm)



**R**  
Ø4.0  
(mm)



**R**  
Ø4.5  
(mm)



**W**  
Ø5.0  
(mm)



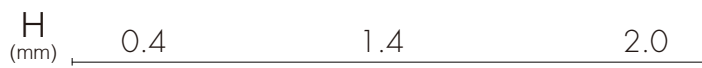
**W**  
Ø5.5  
(mm)



# Cover Screw

Select appropriate fixture height upon depth of implant placement.  
Select specification fits for fixture connection.

Tighten with 1.2 Hex Driver by hand  
Recommended tightening torque: 5~8Ncm



## X-Narrow



CSSX26

## Mini



CSSM30S



CSSM30M



CSSM30L

## R/W



CSSR40S



CSSR40M



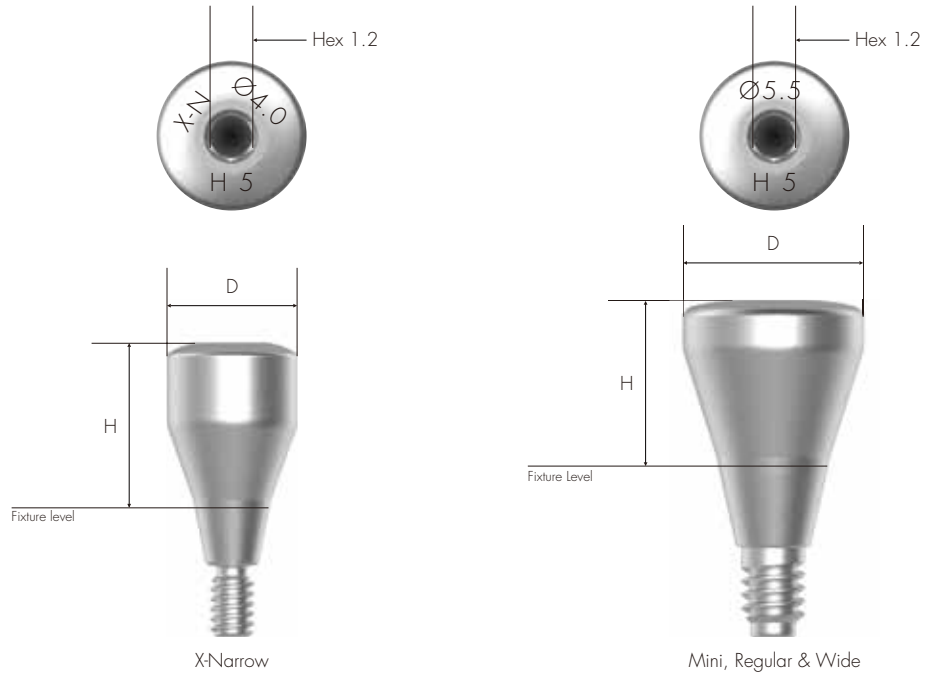
CSSR40L

# Healing Abutment

Use Healing Abutment fits for the diameter of abutment.  
Use specification fits for fixture connection.

Tighten with 1.2 Hex Driver by hand  
Recommended tightening torque: 5-8Ncm

When using a X-Narrow Fixture (Ø 3.0), use exclusive Healing Abutment for X-Narrow Fixture.







## X-Narrow

H (mm)	3.0	4.0	5.0
D (mm)	Ø4.0		
	HASX403	HASX404	HASX405




## X-Narrow

H (mm)	6.0	7.0	9.0
D (mm)	Ø4.0		
	HASX406	HASX407	HASX409

### M/R/W

H (mm)	2.0	3.0	4.0	5.0
D (mm)				
Ø4.3	HASR402	HASR403	HASR404	HASR405
Ø4.8	HASR452	HASR453	HASR454	HASR455
Ø5.5	HASR522	HASR523	HASR524	HASR525
Ø6.0	HASR572	HASR573	HASR574	HASR575
Ø6.8	HASR652	HASR653	HASR654	HASR655
Ø8.0		HASR803	HASR804	HASR805
Ø9.0		HASR903	HASR904	HASR905

### M/R/W

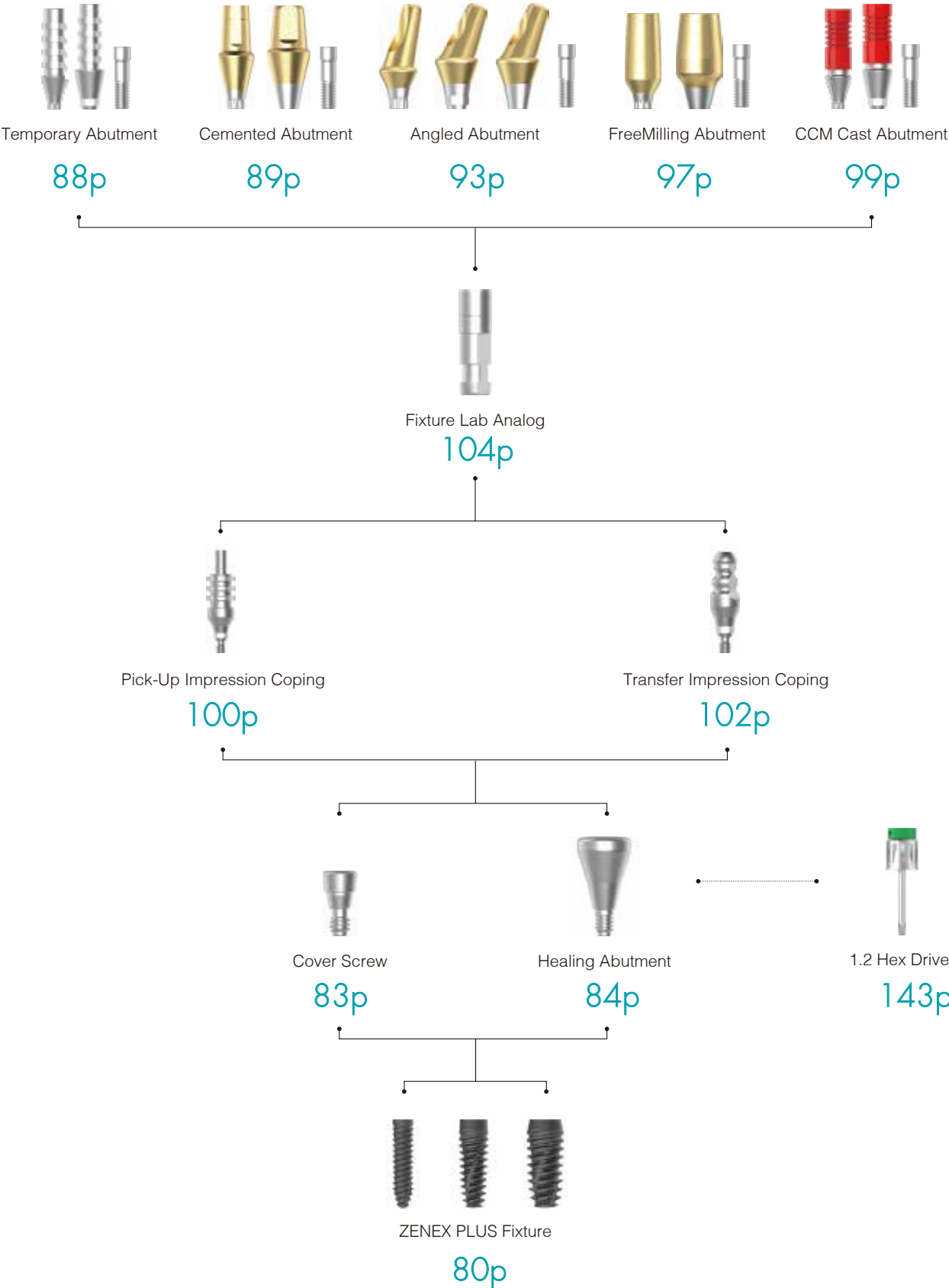
H (mm)	6.0	7.0	9.0
D (mm)			
Ø4.3	HASR406	HASR407	HASR409
Ø4.8	HASR456	HASR457	HASR459
Ø5.5	HASR526	HASR527	HASR529
Ø6.0	HASR576	HASR577	HASR579
Ø6.8	HASR656	HASR657	HASR659



**IZEN**  
I M P L A N T

086 ZENEX  
PLUS

# Prosthetic Flow Chart I



087  
ZENEX  
PLUS

# Temporary Abutment

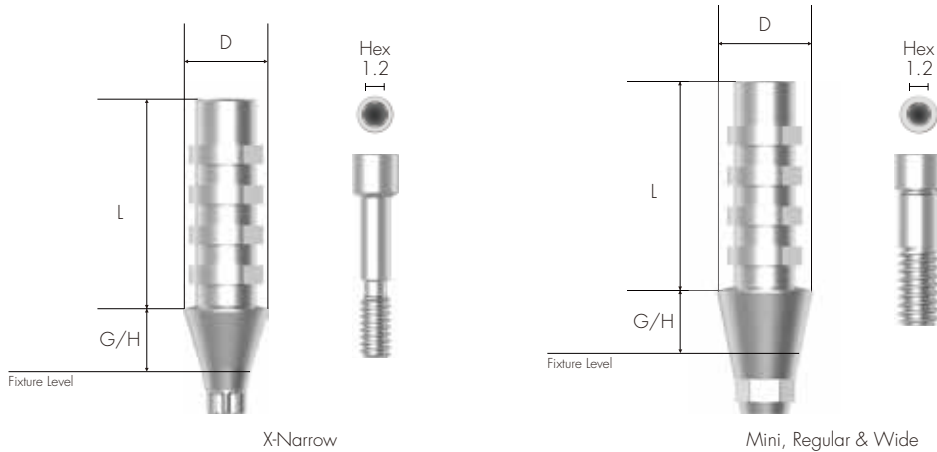
Abutment for manufacturing Screw-retained type temporary prosthesis  
 Select specification fits for fixture connection.  
 Fixture Level Impression

Tighten with 1.2 Hex Driver

Recommended tightening torque: 20Ncm

When using a X-Narrow Fixture (Ø 3.0), use exclusive Temporary Abutment for X-Narrow Fixture.

To order as a set as 'Abutment + Abutment Screw'  
 : Product Code + S (ex: TASRH4510S)



## X-Narrow DØ4.0

G/H (mm)	1.0	3.0
	Double-Hex	Non-Hex
	TASXH4010	TASXN4010
		Double-Hex
		Non-Hex
		TASXH4030
		TASXN4030

## M/R/W DØ4.5

G/H (mm)	1.0	3.0
	Hex	Non-Hex
	TASRH4510	TASRN4510
		Hex
		Non-Hex
		TASRH4530
		TASRN4530

# Cemented Abutment

Abutment for manufacturing Cement/Combination-retained type prosthesis

Select specification fits for fixture connection.

Customized by grinding (At least 3.0mm of Abutment Length above Fixture Platform needs to be maintained)

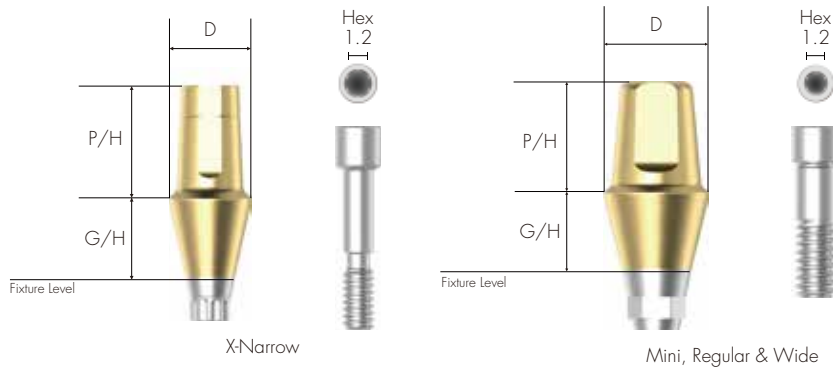
Fixture Level Impression

Tighten with 1.2 Hex Driver

Recommended tightening torque: 20Ncm for X-Narrow / 30Ncm for Mini, Regular & Wide

When using a X-Narrow Fixture (Ø 3.0), use exclusive Cemented Abutment for X-Narrow Fixture.

To order as a set as 'Abutment + Abutment Screw'  
: Product Code + S (ex: CASRH45104S)



## X-Narrow DØ4.0



	G/H (mm)	2.0	3.0	4.0	5.0
Double-Hex	5.5	CASXD40205	CASXD40305	CASXD40405	CASXD40505
	7.0	CASXD40207	CASXD40307	CASXD40407	CASXD40507
Non-Hex	5.5	CASXN40205	CASXN40305	CASXN40405	CASXN40505
	7.0	CASXN40207	CASXN40307	CASXN40407	CASXN40507
M/R/W DØ4.5	G/H (mm)	1.0	2.0	3.0	4.0
	Hex	4.0	CASRH45104	CASRH45204	CASRH45304
5.5		CASRH45105	CASRH45205	CASRH45305	CASRH45405
Non-Hex	7.0	CASRH45107	CASRH45207	CASRH45307	CASRH45407
	4.0	CASRN45104	CASRN45204	CASRN45304	CASRN45404
	5.5	CASRN45105	CASRN45205	CASRN45305	CASRN45405
	7.0	CASRN45107	CASRN45207	CASRN45307	CASRN45407

089 ZENEX PLUS

M/R/W  
DØ4.5

		G/H (mm)	5.0	6.0	7.0
		P/H (mm)			
Hex	4.0	CASRH45504	CASRH45604	CASRH45704	
	5.5	CASRH45505	CASRH45605	CASRH45705	
	7.0	CASRH45507	CASRH45607	CASRH45707	
Non-Hex	4.0	CASRN45504	CASRN45604	CASRN45704	
	5.5	CASRN45505	CASRN45605	CASRN45705	
	7.0	CASRN45507	CASRN45607	CASRN45707	


M/R/W  
DØ5.2

		G/H (mm)	1.0	2.0	3.0	4.0
		P/H (mm)				
Hex	4.0	CASRH52104	CASRH52204	CASRH52304	CASRH52404	
	5.5	CASRH52105	CASRH52205	CASRH52305	CASRH52405	
	7.0	CASRH52107	CASRH52207	CASRH52307	CASRH52407	
Non-Hex	4.0	CASRN52104	CASRN52204	CASRN52304	CASRN52404	
	5.5	CASRN52105	CASRN52205	CASRN52305	CASRN52405	
	7.0	CASRN52107	CASRN52207	CASRN52307	CASRN52407	

M/R/W  
DØ5.2

		G/H (mm)	5.0	6.0	7.0
		P/H (mm)			
Hex	4.0	CASRH52504	CASRH52604	CASRH52704	
	5.5	CASRH52505	CASRH52605	CASRH52705	
	7.0	CASRH52507	CASRH52607	CASRH52707	
Non-Hex	4.0	CASRN52504	CASRN52604	CASRN52704	
	5.5	CASRN52505	CASRN52605	CASRN52705	
	7.0	CASRN52507	CASRN52607	CASRN52707	

M/R/W  
DØ5.7

		G/H (mm)	1.0	2.0	3.0	4.0
		P/H (mm)				
Hex	4.0	CASRH57104	CASRH57204	CASRH57304	CASRH57404	
	5.5	CASRH57105	CASRH57205	CASRH57305	CASRH57405	
	7.0	CASRH57107	CASRH57207	CASRH57307	CASRH57407	
Non-Hex	4.0	CASRN57104	CASRN57204	CASRN57304	CASRN57404	
	5.5	CASRN57105	CASRN57205	CASRN57305	CASRN57405	
	7.0	CASRN57107	CASRN57207	CASRN57307	CASRN57407	

M/R/W  
DØ5.7

		G/H (mm)	5.0	6.0	7.0
		P/H (mm)			
Hex	4.0	CASRH57504	CASRH57604	CASRH57704	
	5.5	CASRH57505	CASRH57605	CASRH57705	
	7.0	CASRH57507	CASRH57607	CASRH57707	
Non-Hex	4.0	CASRN57504	CASRN57604	CASRN57704	
	5.5	CASRN57505	CASRN57605	CASRN57705	
	7.0	CASRN57507	CASRN57607	CASRN57707	

M/R/W  
DØ6.5

		G/H (mm)	1.0	2.0	3.0	4.0
		P/H (mm)				
Hex	4.0	CASRH65104	CASRH65204	CASRH65304	CASRH65404	
	5.5	CASRH65105	CASRH65205	CASRH65305	CASRH65405	
Non-Hex	4.0	CASRN65104	CASRN65204	CASRN65304	CASRN65404	
	5.5	CASRN65105	CASRN65205	CASRN65305	CASRN65405	

M/R/W  
DØ6.5

G/H  
(mm)

5.0

6.0

7.0



P/H  
(mm)

4.0

CASRH65504

CASRH65604

CASRH65704

Hex

5.5

CASRH65505

CASRH65605

CASRH65705

Non-Hex

4.0

CASRN65504

CASRN65604

CASRN65704

5.5

CASRN65505

CASRN65605

CASRN65705

# Angled Abutment

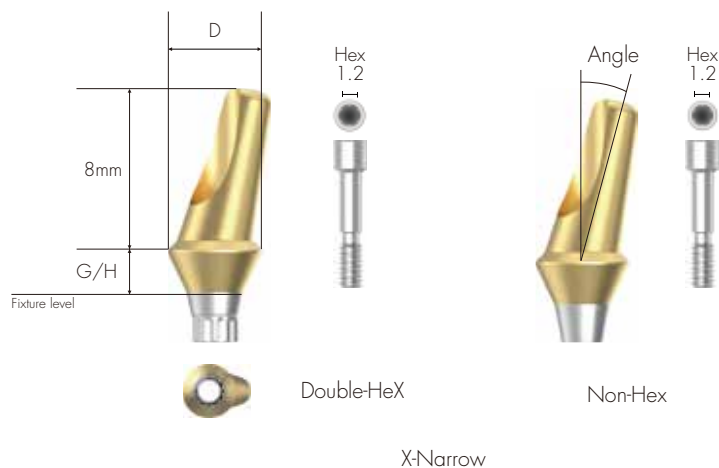
Abutment for manufacturing Cement/Combination-retained type prosthesis  
 Various types of Angle (15° for Ø 3.0 X-Narrow Fixture / 15° & 25° for Mini, Regular and Wide Fixture [Ø 3.5 ~ Ø 5.5])  
 Select specification fits for fixture connection.  
 Fixture Level Impression  
 Can be positioned in 12 directions by selecting A or B type

Tighten with 1.2 Hex Driver

Recommended tightening torque: 20Ncm for X-Narrow / 30Ncm for Mini, Regular & Wide

When using a X-Narrow Fixture (Ø 3.0), use exclusive Angled Abutment for X-Narrow Fixture.

To order as a set as 'Abutment + Abutment Screw'  
 : Product Code + S (ex: AASRA45152S)



**X-Narrow**  
 DØ4.0

G/H (mm)	2.0	4.0
Angle	15°	



Double-Hex

AASXD40152

AASXD40154

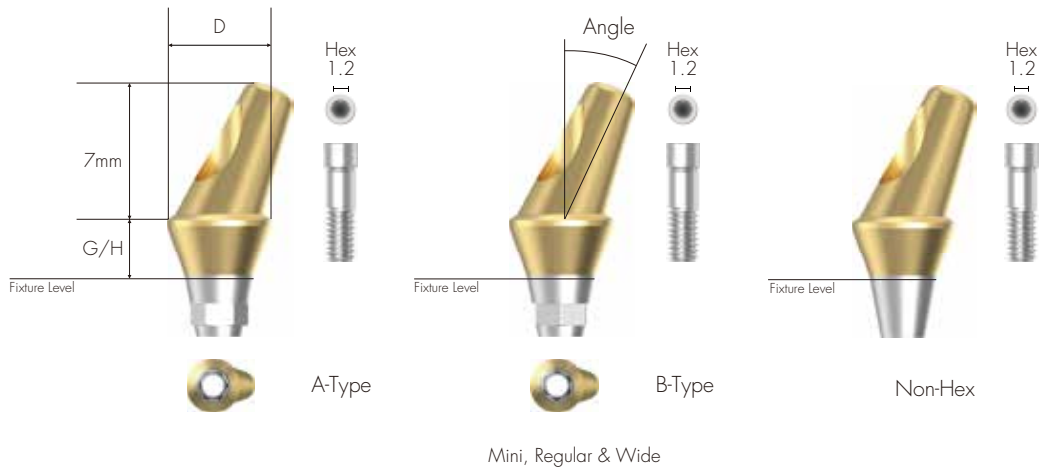
Non-Hex

AASXN40152

AASXN40154

093 ZENEX PLUS





M/R/W  
DØ4.5

G/H (mm)	2.0	3.0	4.0
Angle		15°	



A-Type

AASRA45152

AASRA45153

AASRA45154

B-Type

AASRB45152

AASRB45153

AASRB45154

Non-Hex

AASRN45152

AASRN45153

AASRN45154

M/R/W  
DØ5.2

G/H (mm)	2.0	3.0	4.0
Angle		15°	



A-Type

AASRA52152

AASRA52153

AASRA52154

B-Type

AASRB52152

AASRB52153

AASRB52154

Non-Hex

AASRN52152

AASRN52153

AASRN52154

M/R/W  
DØ5.7

G/H (mm)	2.0	3.0	4.0
Angle	15°		



A-Type	AASRA57152	AASRA57153	AASRA57154
B-Type	AASRB57152	AASRB57153	AASRB57154
Non-Hex	AASRN57152	AASRN57153	AASRN57154

M/R/W  
DØ4.5

G/H (mm)	2.0	3.0	4.0
Angle	25°		



A-Type	AASRA45252	AASRA45253	AASRA45254
B-Type	AASRB45252	AASRB45253	AASRB45254
Non-Hex	AASRN45252	AASRN45253	AASRN45254

095  
ZENEX  
PLUS

M/R/W  
DØ5.2

G/H (mm)	2.0	3.0	4.0
Angle	25°		



A-Type	AASRA52252	AASRA52253	AASRA52254
B-Type	AASRB52252	AASRB52253	AASRB52254
Non-Hex	AASRN52252	AASRN52253	AASRN52254

M/R/W  
DØ5.7

G/H  
(mm) 2.0 3.0 4.0  
Angle 25°



A-Type AASRA57252 AASRA57253 AASRA57254

B-Type AASRB57252 AASRB57253 AASRB57254

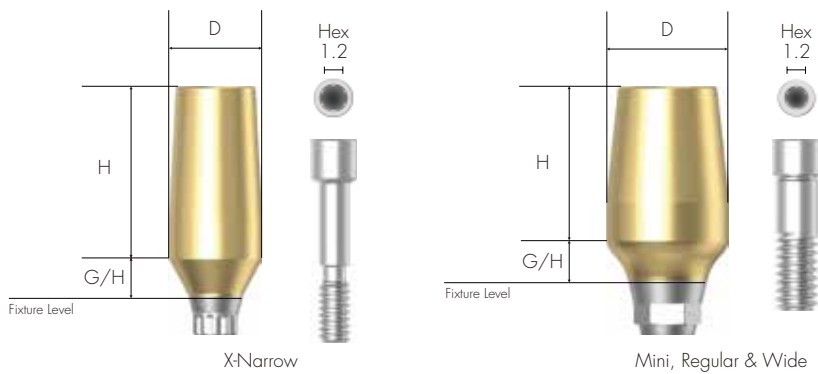
Non-Hex AASRN57252 AASRN57253 AASRN57254

# FreeMilling Abutment

Abutment for manufacturing Cement/Combination-retained type prosthesis  
 Used when creating free marginal space for Abutment  
 Select specification fits for fixture Connection  
 Customized by grinding (At least 3.0mm of Abutment Length above Fixture Platform needs to be maintained)  
 Fixture Level Impression

Tighten with 1.2 Hex Driver  
 Recommended tightening torque: 20Ncm for X-Narrow / 30Ncm for Mini, Regular & Wide  
 When using a X-Narrow Fixture (Ø 3.0), use exclusive FreeMilling Abutment for X-Narrow Fixture.

To order as a set as 'Abutment + Abutment Screw'  
 : Product Code + S (ex: FMASRH52208**S**)



## X-Narrow

DØ4.0  
 H: 9.0mm

G/H (mm)	2.0	4.0
	Double-Hex FMASXD40209	Non-Hex FMASXN40209
	Double-Hex FMASXD40409	Non-Hex FMASXN40409

## M/R/W

DØ4.5  
 H: 9.0mm

G/H (mm)	2.0	4.0
	Hex FMASRH45209	Non-Hex FMASRN45209
	Hex FMASRH45409	Non-Hex FMASRN45409

097 ZENEX PLUS

**M/R/W**  
DØ5.2  
H: 8.0mm



**M/R/W**  
DØ5.7  
H: 8.0mm



**M/R/W**  
DØ6.5  
H: 8.0mm



# CCM Cast Abutment

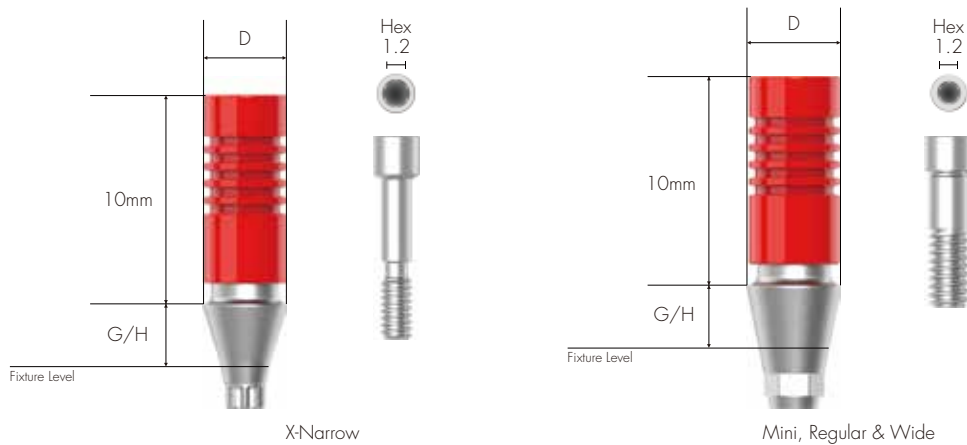
Abutment for manufacturing customized abutment in difficult and complicated cases  
 Select specification fits for fixture connection  
 Fixture Level Impression  
 Casting with non-precious alloy for manufacturing customized prosthesis  
 Melting point of CCM : 1,400 ~ 1,550°C

Tighten with 1.2 Hex Driver

Recommended tightening torque: 20Ncm for X-Narrow / 30Ncm for Mini, Regular & Wide

When using a X-Narrow Fixture (Ø 3.0), use exclusive CCM Cast Abutment for X-Narrow Fixture.

To order as a set as 'Abutment + Abutment Screw'  
 : Product Code + S (ex: CCASRH4510**S**)



## X-Narrow DØ4.0

G/H (mm)	1.0		3.0	
	Double-Hex	Non-Hex	Double-Hex	Non-Hex
	CCASXH4010	CCASXN4010	CCASXH4030	CCASXN4030

## M/R/W DØ4.5

G/H (mm)	1.0		3.0	
	Hex	Non-Hex	Hex	Non-Hex
	CCASRH4510	CCASRN4510	CCASRH4530	CCASRN4530

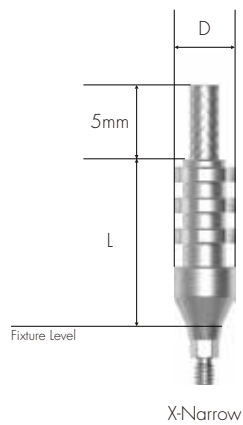
# Pick-Up Impression Coping

Components for Fixture Level Impression  
 Open Tray Type  
 Select specification fits for fixture connection  
 Enables accurate impression with design of stably fixed in impression material

Tighten with 1.2 Hex Driver by hand

When using a X-Narrow Fixture (Ø 3.0), use exclusive Pick-up Impression Coping for X-Narrow Fixture.

To order as a set as 'Impression Coping body + Guide Pin'  
 : [For 11mm Length] Product Code + S (ex: PISRH40S)  
 [For 15mm Length] Product Code + S (ex: PISRH40LS)

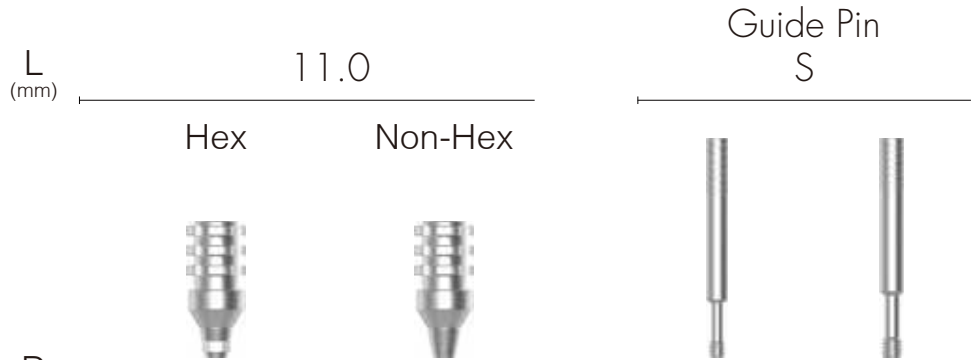


X-Narrow







Mini, Regular & Wide

100 ZENEX PLUS



	D (mm)	Hex	Non-Hex	Guide Pin S
<b>X-Narrow</b>	Ø4.0	PISXH40S	PISXN40S	PIGPSXS
<b>M/R/W</b>	Ø4.0	PISRH40S	PISRN40S	PIGPSRS
	Ø4.8	PISRH45S	PISRN45S	
	Ø5.5	PISRH52S	PISRN52S	
	Ø6.0	PISRH57S	PISRN57S	
	Ø6.8	PISRH65S	PISRN65S	

		15.0		Guide Pin L	
		Hex	Non-Hex		
					
		L (mm)		L	
		D (mm)			
<b>X-Narrow</b>	Ø4.0	PISXH40L	PISXN40L	PIGPSXL	
	Ø4.0	PISRH40L	PISRN40L		
<b>M/R/W</b>	Ø4.8	PISRH45L	PISRN45L		
	Ø5.5	PISRH52L	PISRN52L	PIGPSRL	
	Ø6.0	PISRH57L	PISRN57L		
	Ø6.8	PISRH65L	PISRN65L		



# Transfer Impression Coping

- Components for Fixture Level Impression
- Closed Tray Type
- Select specification fits for fixture connection
- Streamlined Shape: Easy to transfer
- Anti-Rotation Grooves accord with Hex of fixture

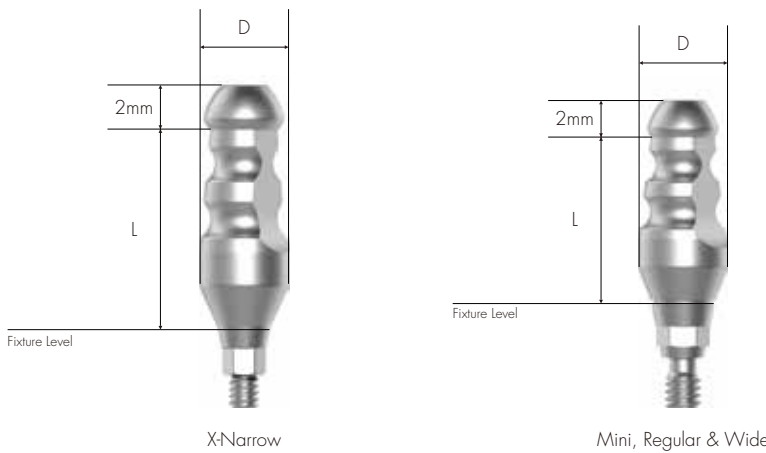
Tighten with 1.2 Hex Driver by hand

When using a X-Narrow Fixture (Ø 3.0), use exclusive Transfer Impression Coping for X-Narrow Fixture.

To order as a set as 'Impression Coping body + Guide Pin'

: [For 9mm Length] Product Code + S (ex: TISRH40SS)

[For 13mm Length] Product Code + S (ex: TISRH40LS)



102 ZENEX PLUS



	D (mm)	Hex	Non-Hex	Guide Pin S
<b>X-Narrow</b>	Ø4.0	TISXH40S	TISXN40S	TIGPSXS
	Ø4.0	TISRH40S	TISRN40S	
<b>M/R/W</b>	Ø4.8	TISRH45S	TISRN45S	TIGPSRS
	Ø5.5	TISRH52S	TISRN52S	
	Ø6.0	TISRH57S	TISRN57S	
	Ø6.8	TISRH65S	TISRN65S	

		L (mm) 13.0		Guide Pin L	
		Hex	Non-Hex		
<b>X-Narrow</b>	D (mm) Ø4.0	TISXH40L	TISXN40L	TIGPSXL	
	Ø4.0	TISRH40L	TISRN40L		
<b>M/R/W</b>	Ø4.8	TISRH45L	TISRN45L		
	Ø5.5	TISRH52L	TISRN52L	TIGPSRL	
	Ø6.0	TISRH57L	TISRN57L		
	Ø6.8	TISRH65L	TISRN65L		

# Fixture Lab Analog

Lab Analog for Fixture Level Impression

Select among Fixture Diameter ( $\varnothing$  3.0 /  $\varnothing$  3.5 /  $\varnothing$  4.0 and above)



**X-Narrow**  
D $\varnothing$ 3.0



FLASX300

**Mini**  
D $\varnothing$ 3.75



FLASM350

**R/W**  
D $\varnothing$ 4.25

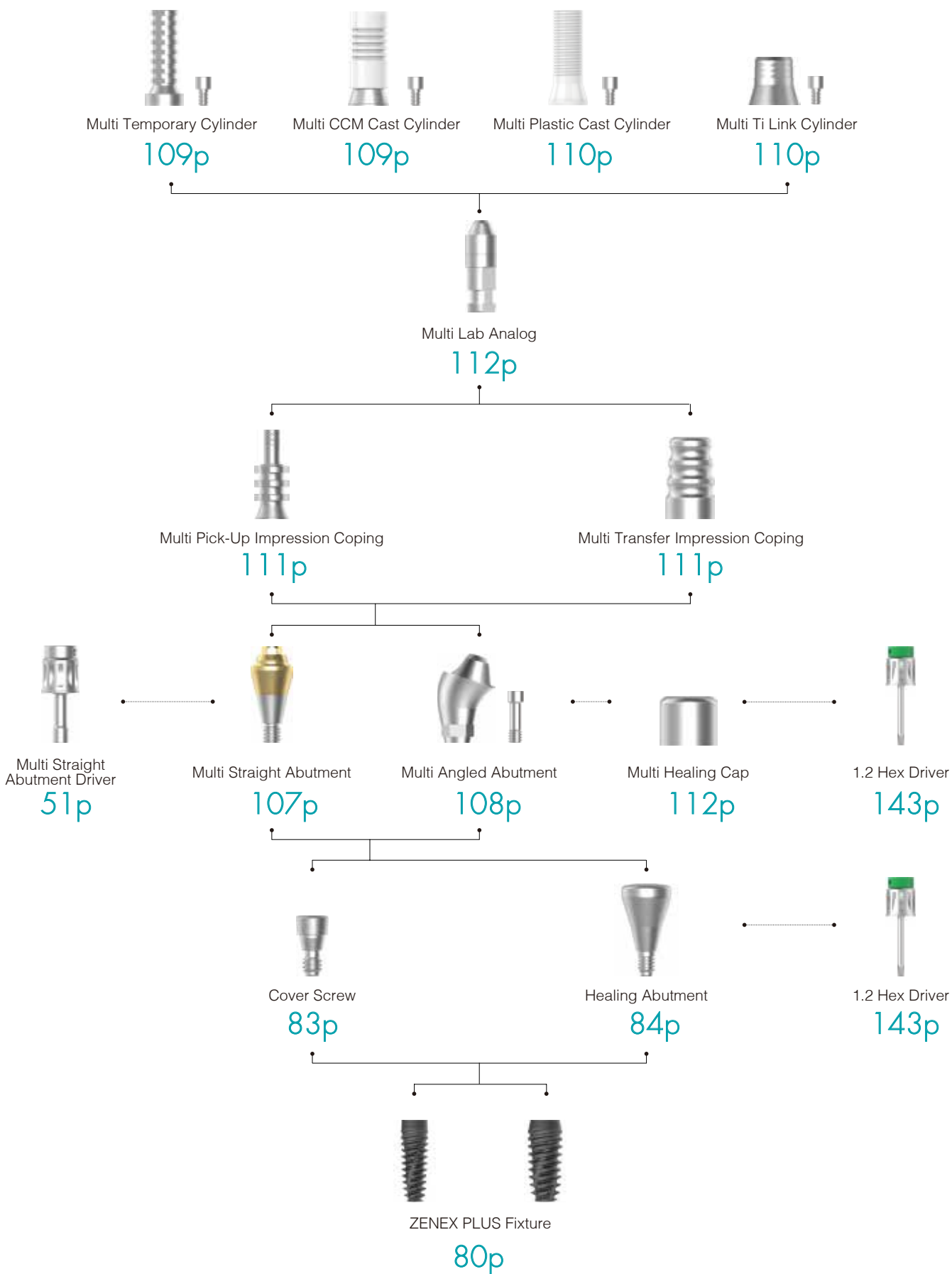


FLASR400

**IZEN**  
I M P L A N T

105 ZENEX  
PLUS

# Prosthetic Flow Chart II



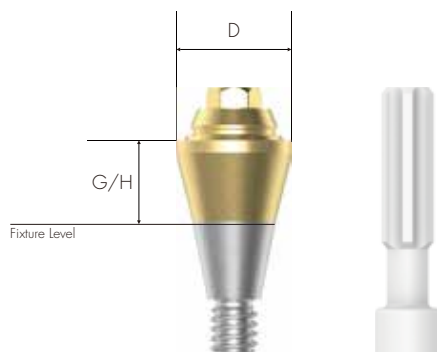
106 ZENEX PLUS

# Multi Straight Abutment

Abutment for manufacturing screw-retained prosthesis in Multiple Case  
Same platform as Multi Angled Abutment  
Move into internal oral part by using exclusive Abutment Carrier (Code: MSACR48)

Tighten with exclusive driver (Code: MSADSR20)  
Recommended tightening torque: 30Ncm

To order as a set as 'Abutment + Abutment Screw'  
: Product Code + S (ex: MSASR4815S)



Mini, Regular & Wide

M/R/W  
DØ4.8



MSASR4815

MSASR4825

MSASR4835

MSASR4845

107  
ZENEX  
PLUS

# Multi Angled Abutment

Abutment for manufacturing screw-retained prosthesis in Multiple Case  
 Abutment of various angles (17°, 30°) for various angled of implant insertion path  
 Same platform as Multi Straight Abutment  
 Compensation of fixture placement angle up to 108°  
 Connect by using exclusive Abutment Carrier (Code: MAACRMC)

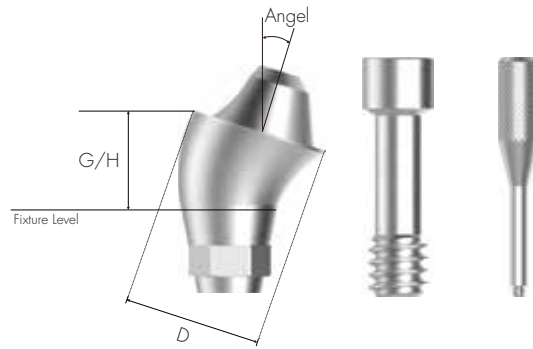
Tighten with 1.2 Hex Driver

Recommended tightening torque: 30Ncm

Multi Angled Abutment Screw (MAASSR23 for Mini, Regular and Wide) included

To order as a set as 'Abutment + Screw + Carrier'

: Product Code + S (ex: MAASRH481725S)



Mini, Regular & Wide

108 ZENEX PLUS

M/R/W  
DØ4.8

G/H (mm)	2.5	3.5	4.5	5.5
Angle				
17°	MAASRH481725 MAASRN481725	MAASRH481735 MAASRN481735	MAASRH481745 MAASRN481745	MAASRH481755 MAASRN481755

M/R/W  
DØ4.8

G/H (mm)	3.5	4.5	5.5	6.5
Angle				
30°	MAASRH483035 MAASRN483035	MAASRH483045 MAASRN483045	MAASRH483055 MAASRN483055	MAASRH483065 MAASRN483065

# Multi Temporary Cylinder

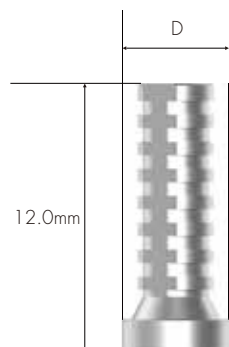
Multi Cylinder for making Combination-retained prosthesis from Multi Abutment  
For manufacturing Screw-retained temporary Abutment

Tighten with 1.2 Hex Driver

Recommended tightening torque: 20Ncm

Multi Cylinder Screw (MTCSR23) included

To order as a set as 'Cylinder + Multi Cylinder Screw'  
: Product Code + S (ex: MTCSRN48S)



DØ4.8

MTCSRN48

# Multi CCM Cast Cylinder

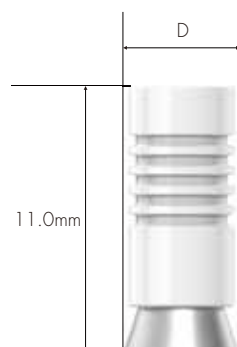
Multi Cylinder for making Screw-retained prosthesis from Multi Abutment  
Casting with non-precious alloy for manufacturing customized prosthesis  
Melting point of CCM : 1,400 ~ 1,550°C

Tighten with 1.2 Hex Driver

Recommended tightening torque: 20Ncm

Multi Cylinder Screw (MTCSR23) included

To order as a set as 'Cylinder + Multi Cylinder Screw'  
: Product Code + S (ex: MCCCORN48S)



DØ4.8

MCCCORN48



# Multi Plastic Cast Cylinder

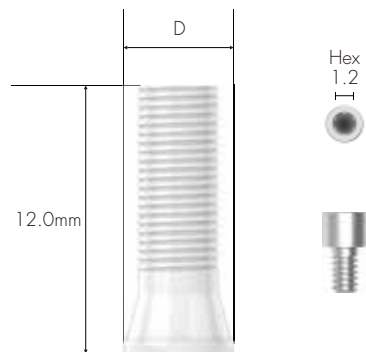
Multi Cylinder for making Screw-retained prosthesis from Multi Abutment

Tighten with 1.2 Hex Driver

Recommended tightening torque: 20Ncm

Multi Cylinder Screw (MTCSR23) included

To order as a set as 'Cylinder + Multi Cylinder Screw'  
: Product Code + S (ex: MPCCSRN48S)



DØ5.0

MPCCSRN48

# Multi Ti Link Cylinder

Multi Cylinder for making Combination-retained prosthesis from Multi Abutment

Use when producing Customized Abutment (Titanium & Zirconia) and Crown by CAD/CAM equipment

Use exclusive implant library of ZENEX PLUS Implant System

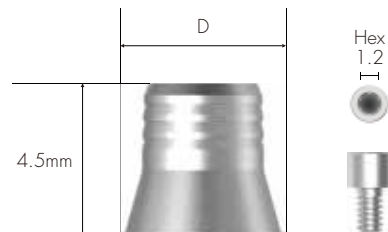
Abutment Level Impression

Tighten with 1.2 Hex Driver

Recommended tightening torque: 20Ncm

Multi Cylinder Screw (MTCSR23) included

To order as a set as 'Cylinder + Multi Cylinder Screw'  
: Product Code + S (ex: MTLCSRN48S)



DØ4.8

MTLCSRN48

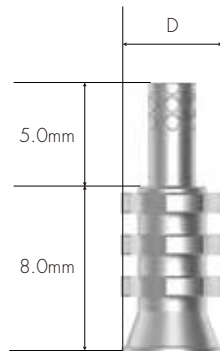
# Multi Pick-Up Impression Coping

Components for taking Abutment Level impression for Multi Abutment Open Tray Type

Tighten with 1.2 Hex Driver by hand

Multi Pick-up Impression Coping Guide Pin (MPICSRGP) included

To order as a set as 'Impression Coping body + Guide Pin'  
: Product Code + S (ex: MPICSR48S)



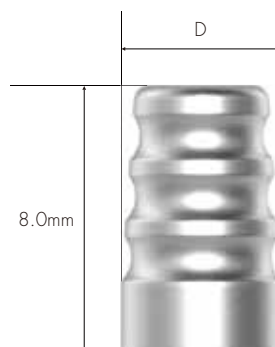
DØ4.8

MPICSR48

# Multi Transfer Impression Coping

Components for taking Abutment Level impression for Multi Abutment Closed Tray Type

Tighten with 1.2 Hex Driver by hand



DØ4.8

MTICSR48

# Multi Lab Analog

Lab Analog for Multi Abutment



MLASR48

# Multi Healing Cap

Protect Cap for Multi Abutment

Tighten with 1.2 Hex Driver by hand



$D\varnothing 4.8$

MHCSR48

# Multi ScanBody

ScanBody for Multi Abutment

ScanBody for manufacturing customized Titanium abutment  
Use for Oral scan (Model scan available as well)

Tighten with 1.2 Hex Driver by hand

To order as a set as 'ScanBody + ScanBody Screw'  
: Product Code + S (ex: MSBSR4809S)



MSBSR4809

# Multi Straight Abutment Driver

Torque driver for Multi Straight Abutment



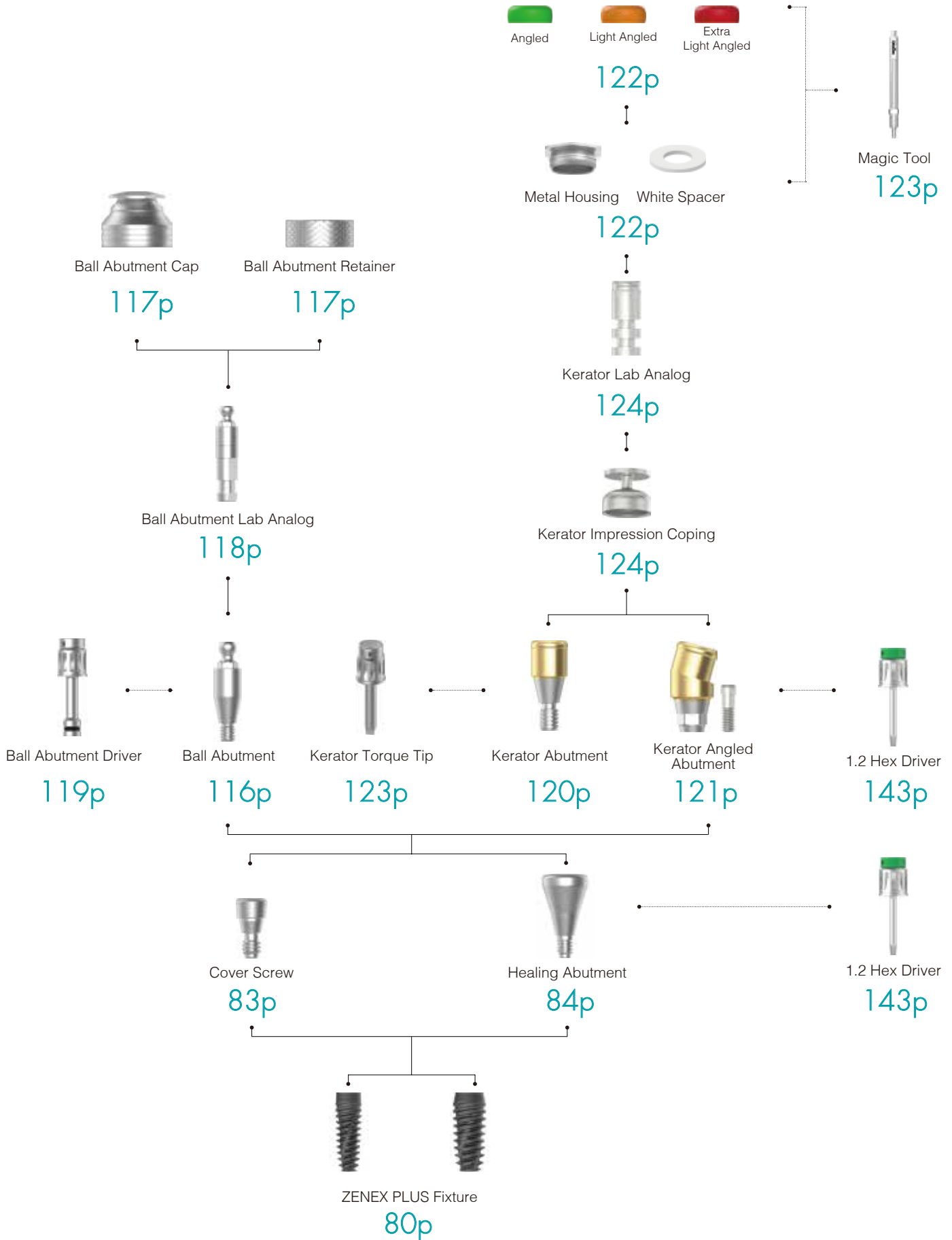
MSADSR20

# IZEN

I M P L A N T

114 ZENEX  
1 PLUS

# Prosthetic Flow Chart III

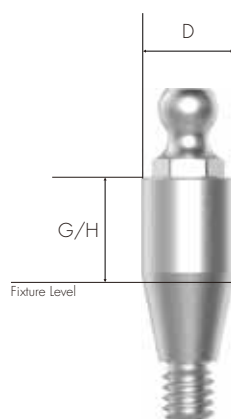


115 ZENEX PLUS

# Ball Abutment

Abutment for overdenture using O-ring attachment  
Compensation of mounting angle up to 20°

Tighten with exclusive Ball Abutment Driver (Code: BAD24)  
Recommended tightening torque: 30Ncm



Mini, Regular & Wide

116 ZENEX PLUS

G/H (mm)

1.0

2.0

3.0

4.0

5.0

6.0

M/R/W  
DØ3.5



BASR3510

BASR3520

BASR3530

BASR3540

BASR3550

BASR3560

# Ball Abutment Cap Set

O-ring attachment for Ball Abutment  
Replace O-ring on Ball Abutment Cap  
Packing Unit: Ball Abutment Cap + Ball Abutment Lab O-ring



BASRCS

# Ball Abutment Retainer Set

Use in case lack of vertical diameter comparing to Ball Abutment Retainer  
Packing Unit: Ball Abutment Retainer + Ball Abutment Lab O-ring



BASRRS



# Ball Abutment O-ring Set

O-ring set

Packing Unit: Ball Abutment O-ring 5 EA



BASROS

# Ball Abutment Lab Analog

Lab Analog for Ball Abutment



BAALA

# Ball Abutment Driver

Torque driver for Ball Abutment

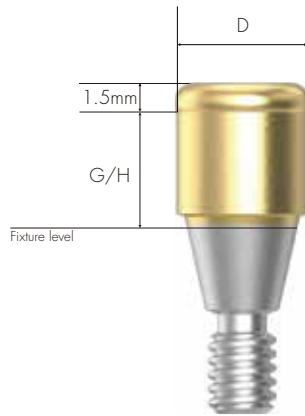


BAD24

# Kerator Abutment

Compensation of fixture placement angle up to 40°  
1.5mm lower vertical dimension  
Composition of multiple attachments with stable retention

Connect with exclusive driver  
Recommended tightening torque: 30Ncm



Mini, Regular & Wide

120 ZENEX PLUS

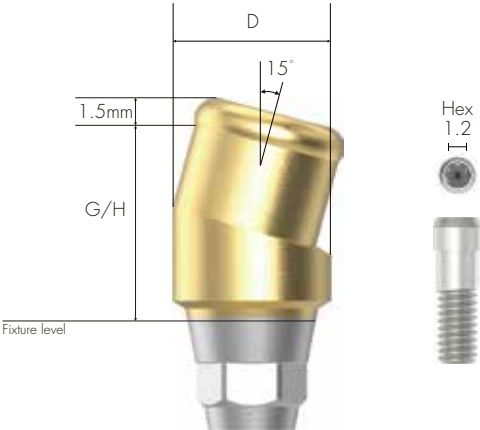
M/R/W  
DØ3.7



# Kerator Angled Abutment

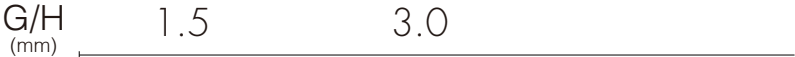
1.5mm lower vertical dimension  
Composition of multiple attachments with stable retention

Connect with 1.2 Hex driver  
Recommended tightening torque: 30Ncm



Mini, Regular & Wide

M/R/W  
DØ3.7



SQ35AN1.5



SQ35AN3.0

# Kerator CDPH Set

Composition: White spacer / denture cap connected black processing male & Replacement male (Red, Blue & Pink)

Select replacement male of adequate retention to use according to cases

Replace replacement male by using Kerator Magic tool



CDPH SET

# Kerator Male Cap

Retention power of KERATOR male cap is down (up to 20%) and red cap(angle) is included in the male package

Colors of cap determine retention power and it minimizes Denture Repair even there is any continuous bone loss



# Kerator Magic Tool

Use to connect and remove replacement male on denture cap  
As separated into two pieces, it is easy for maintenance



KMT002

# Kerator Torque Tip

Torque driver for Kerator Abutment

Round Type



KMD719

# Kerator Impression Coping

Pick-Up Impression Coping for Kerator abutment  
Closed Tray Type



DK14845

# Kerator Lab Analog

Lab Analog for Kerator Abutment



DKA3854

**IZEN**  
I M P L A N T

125 ZENEX  
PLUS

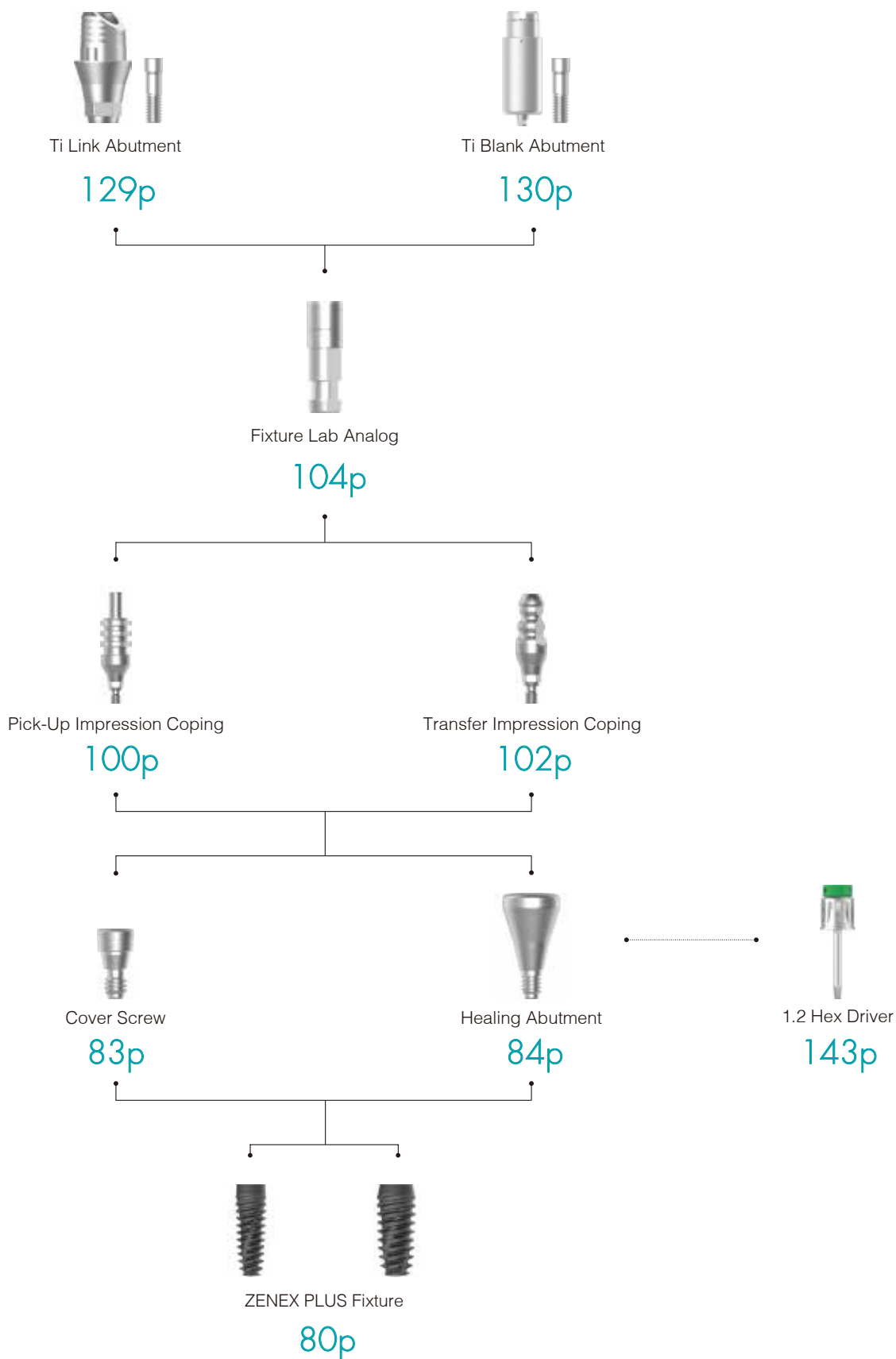


126 ZENEX  
PLUS

# IZEN

I M P L A N T

# Prosthetic Flow Chart IV



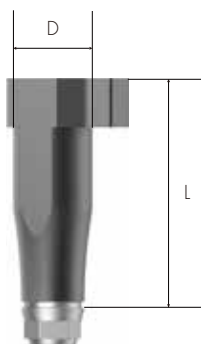
127  
ZENEX  
PLUS

# ScanBody

ScanBody for manufacturing customized Titanium abutment  
Use for Oral scan (Model scan available as well)

Tighten with 1.2 Hex Driver by hand

To order as a set as 'ScanBody + ScanBody Screw'  
: Product Code + S (ex: ISBR4310S)



128 ZENEX PLUS

**Mini**  
DØ4.0

L : 14mm



ISBM4014



**R/W**  
DØ4.3

L : 10mm



ISBR4310

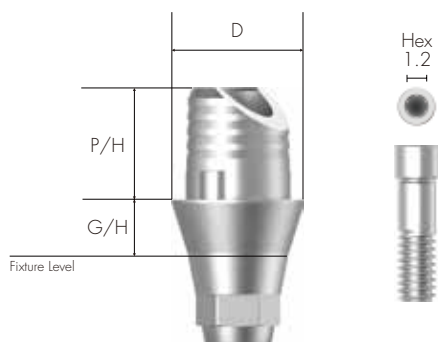


# Ti Link Abutment

Abutment for manufacturing Cement/Combination-retained type prosthesis  
 For manufacturing custom abutment (Titanium & Zirconia) and crown by CAD/CAM equipment  
 Select specification fits for fixture Connection  
 Use exclusive library for ZENEX PLUS Implant system  
 Fixture Level Impression

Tighten with 1.2 Hex Driver  
 Recommended tightening torque: 30Ncm

To order as a set as 'Abutment + Screw'  
 : Product Code + S (ex: TLASRH4520S)



Mini, Regular & Wide

M/R/W  
 DØ4.5

G/H (mm)	1.0		2.0	
P/H (mm)	3.8			
	Hex	Non-Hex	Hex	Non-Hex
	TLASRH4510	TLASRN4510	TLASRH4520	TLASRN4520

129 ZENEX PLUS

# Ti Blank Abutment

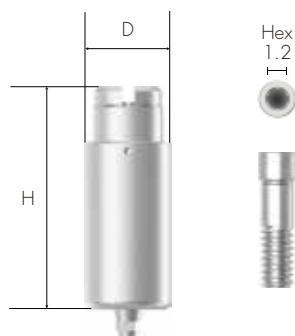
Manufacturing customized abutment with milling machine  
 Select specification fits for fixture Connection  
 Digital Impression

Tighten with 1.2 Hex Driver

Recommended tightening torque: 30Ncm

Product line-up applied for various milling machine brands  
 (Milling machine manufacturer: Doowon, Manix, Vatech, RND)

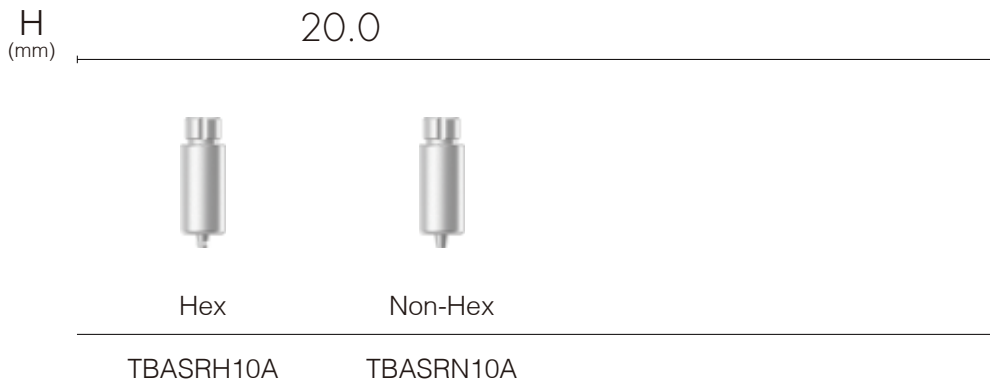
To order as a set as 'Abutment + Screw'  
 : Product Code + S (ex: TBASRH10AS)



Mini, Regular & Wide

130 ZENEX PLUS

**For Arum**  
**M/R/W**  
 DØ10



**For Manix**  
**M/R/W**  
 DØ10



**ZENEX KIT**



---

# ZENEX KIT

---

## COMPOSITION

134 ZENEX SURGERY KIT

150 ZENEX EASY SURGERY KIT

166 ZENEX SUPERWIDE KIT

176 ZENEX PROSTHETIC KIT

## OTHER SURGICAL INSTRUMENTS

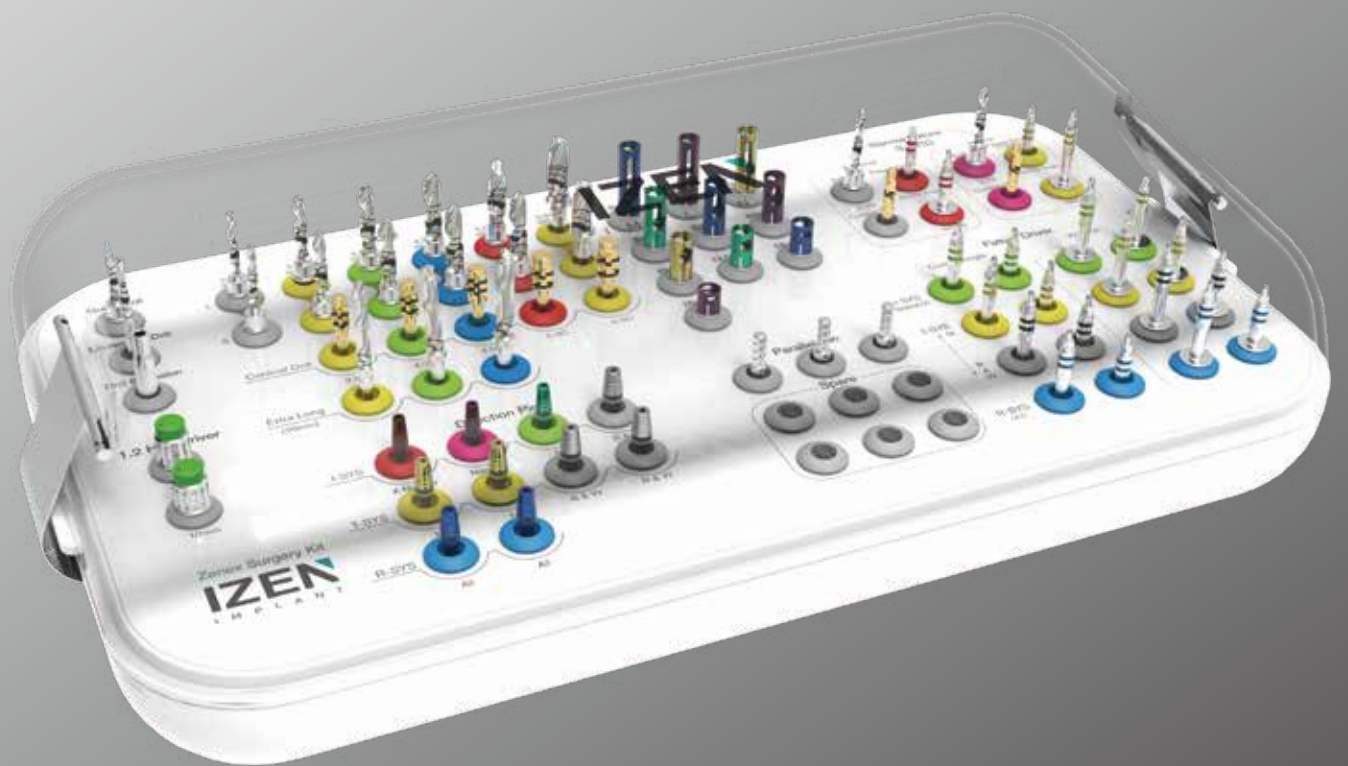
164 Tissue Punch

164 Trephine Drill

165 Bone Profiler



# ZENEX SURGERY KIT



134 ZENEX  
KIT



# ZENEX SURGERY KIT Instruments

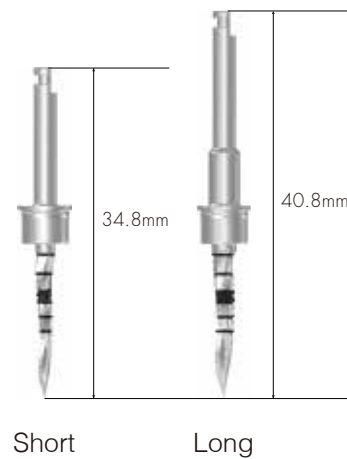
## Guide Drill

- Drill to mark base hole on the bone for easy initial drilling
- Available to control drilling depth by using with stopper
- Product Code in the Kit: GD3F20L

D (mm)  $\overline{\hspace{10em}}$   $\text{\O}1.5 / \text{\O}2.0$

**Short** GD3F20S

**Long** GD3F20L



136 ZENEX KIT

## Lindemann Drill

- Outward blades allow side cutting during drilling
- Available to use when removing ridge part of extraction socket
- Product Code in the Kit: LD4F25L

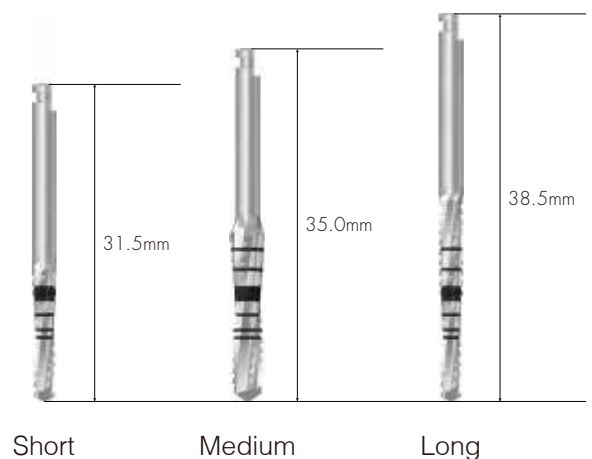
D (mm)  $\overline{\hspace{10em}}$   $\text{\O}1.5 / \text{\O}2.0$      $\text{\O}2.0 / \text{\O}2.5$

**Short** LD4F20S LD4F25S

**Long** LD4F20L LD4F25L

D (mm)  $\overline{\hspace{10em}}$   $\text{\O}3.0 / \text{\O}3.5$

**Medium** LD4F35M



## Drill Extension

- Lengthen surgical instrument in use by connecting to drill and Implant motor
- Be sure to use after accurate connection to prevent product detachment or bending that connected to Drill Extension

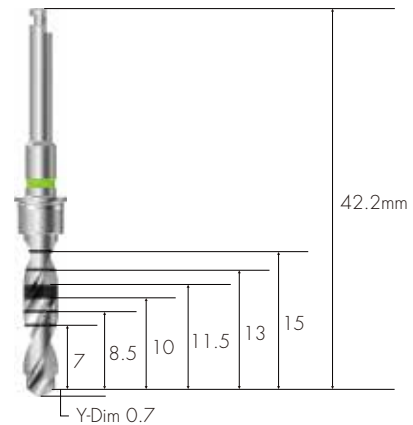
DE4513



## Twist Drill

- Straight drill to shorten surgery steps
- Available to drill to desired depth by attaching stopper (marking line matches with stopper connection)
- Be sure to use stopper since depth control may be difficult due to excellent cutting power.
- Drill of 3.0F (Ø2.2/ 2.5) is applied only for X-Narrow of ZENEX PLUS I-System. (Product code in the Kit : TD2F25L)
- Drill of 3.0F (Ø2.2/ 2.7) is applied only for Narrow of ZENEX MULTI I-System. (Product code in the Kit : TD2F27L)

\*Optional



137  
ZENEX  
KIT

D (mm)	2.2D (Ø1.8/ Ø2.2)	3.0F (Ø2.2 / Ø2.5)	3.0F (Ø2.2 / Ø2.7)	3.5F (Ø2.2 / Ø3.0)
<b>Short</b>	TD2F22S	TD2F25S*	TD2F27S*	TD2F30S
<b>Long</b>	TD2F22L	TD2F25L	TD2F27L	TD2F30L
D (mm)	4.0F (Ø3.0 / Ø3.6)	4.5F (Ø3.0 / Ø3.6 / Ø4.1)	5.0F (Ø3.0 / Ø4.1 / Ø4.6)	
<b>Short</b>	TD2F36S	TD2F41S	TD2F46S	
<b>Long</b>	TD2F36L	TD2F41L	TD2F46L	

# ZENEX SURGERY KIT Instruments

## Step Drill

- Straight drill to shorten surgery steps
- As stopper is applied in the drill, secure to use although depth control may be difficult due to excellent cutting power
- Colored line on grip part of drill indicates diameter of drill and matching fixture size

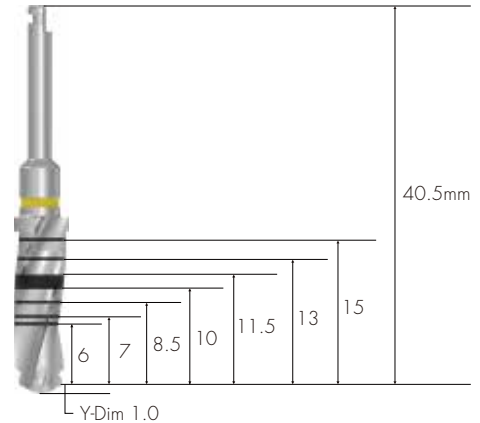
- Two kinds of 5.5F Drill (Ø 4.6 / Ø 5.2) are included.

5.5F  
L (mm) (Ø4.6 / Ø5.2)

---

**11.5** TD3F5211

**15.0** TD3F5215



- Optional extras: Three kinds of step drill for 20mm extra long



3.5F  
L (mm) (Ø2.2 / Ø3.0)

**20.0**

TD2F3020



4.0F  
L (mm) (Ø3.0 / Ø3.6)

TD2F3620

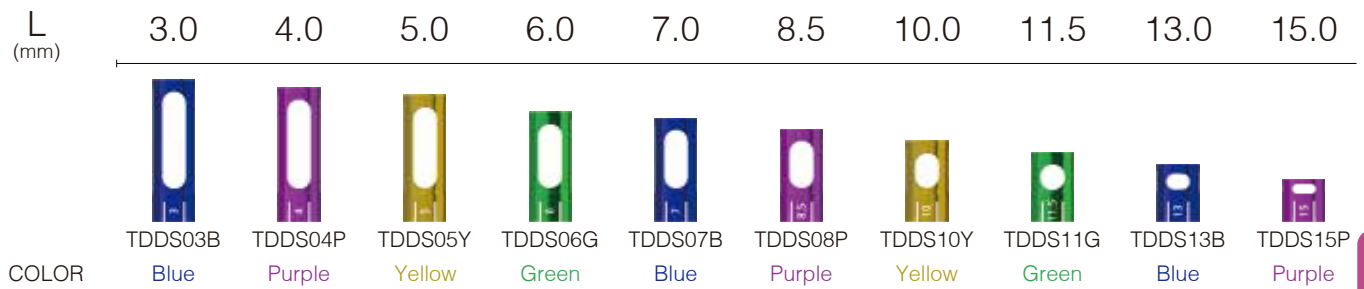


4.5F  
L (mm) (Ø3.0 / Ø3.6 / Ø4.1)

TD2F4120

# Drill Stopper

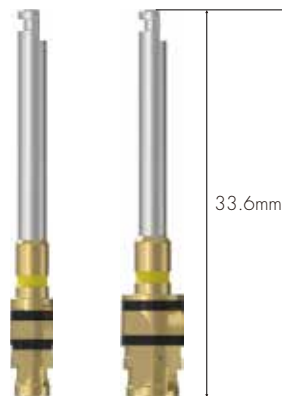
- Indicated number on each stopper means exposed length, excluding head of drill (Y-Dim) when connected to drill
- Differentiate color by length for easy identification



139 ZENEX KIT

# Cortical Drill





- Drill used for removing cortical bone from hard bone
- Drill to the bottom of each marking line
- The lower marking line is for drilling on normal bone and the upper marking line is for drilling on hard bone



# ZENEX SURGERY KIT Instruments

## Direction Pin

- Confirm gingiva height and path after implant placement
- DPSR4509: Available to use in case of ZENEX I-System (Regular & Wide) and ZENEX T-System (Regular & Wide)
- \*Only use red marked components for I-System**

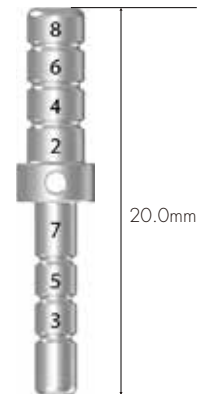
I-System	X-Narrow (Ø3.5)	Narrow (Ø3.5)	Mini (Ø3.5)	R/W (Ø4.5)
				
	DPSX3510*	DPSN3510*	DPSM3510*	DPSR4509*
COLOR	Red	Purple	Green	Metal

- For ZENEX MULTI I-System (based on connection): Narrow, Mini, Regular & Wide
- For ZENEX PLUS I-System (based on connection): X-Narrow, Mini, Regular & Wide

T-System	Mini (Ø3.5)	R/W (Ø4.5)	R-System	M/R/W (Ø4.0)
				
	DPTM4010	DPSR4509		DPRR4009
COLOR	Yellow	Metal	COLOR	Blue

# Parallel Pin

- Used for confirmation of drilling depth and path
- Available to use after drilling with Ø2.2 Drill and Ø3.0 drill
- Composition in the kit: PP352230 (1 ea) + PP402230 (2 ea)



D (mm)	Ø3.5	Ø4.0	Ø5.0	Ø6.0
	PP352230	PP402230	PP502230	PP602230

# Fixture Driver

- For Contra Angle: Directly attached to fixture by connecting to handpiece when using Implant motor
- For Wrench: Directly attached to fixture by using Torque Wrench
- Two-staged coloring enables measurement up to 5mm height at 1mm intervals
- Be sure to use after accurate connection because once used with incorrectly connected driver, it is impossible to remove fixture.
- Be sure to use accurate fixture driver according to the system of fixture.
- ※ Fixture Driver for Narrow of ZENEX MULTI I-System: Same with Mini of ZENEX T-System (Optional)
- ※ Code not included in the FDCSX17S, FDRSX17S, All four drivers for Narrow of ZENEX MULTI I-System (FDCTM21S, FDCTM21L, FDRTM21S, FDRTM21L)
- \*Only use red marked components for I-System

## I-System

### Contra Angle



X-Narrow    Narrow    M/R/W

### Wrench



X-Narrow    Narrow    M/R/W

#### Short

FDCSX17S\*    FDCTM21S    FDCSR25S\*

FDRSX17S\*    FDRTM21S    FDRSR25S\*

#### Long

FDCSX17L\*    FDCTM21L\*    FDCSR25L\*

FDRSX17L\*    FDRTM21L\*    FDRSR25L\*

COLOR

Red    Yellow    Green

Red    Yellow    Green

- For ZENEX MULTI I-System (based on connection): Narrow, Mini, Regular & Wide
- For ZENEX PLUS I-System (based on connection): X-Narrow, Mini, Regular & Wide



# ZENEX SURGERY KIT Instruments

## T-System

Contra Angle



Mini

R/W

Wrench



Mini

R/W

**Short**

**Long**

COLOR

FDCTM21S

FDCTR25S

FDRTM21S

FDRTR25S

FDCTM21L

FDCTR25L

FDRTM21L

FDRTR25L

Yellow

Black

Yellow

Black

142 ZENEX KIT

## R-System

Contra Angle



M/R/W

Wrench



M/R/W

**Short**

**Long**

COLOR

FDCRR23S

FDRRR23S

FDCRR23L

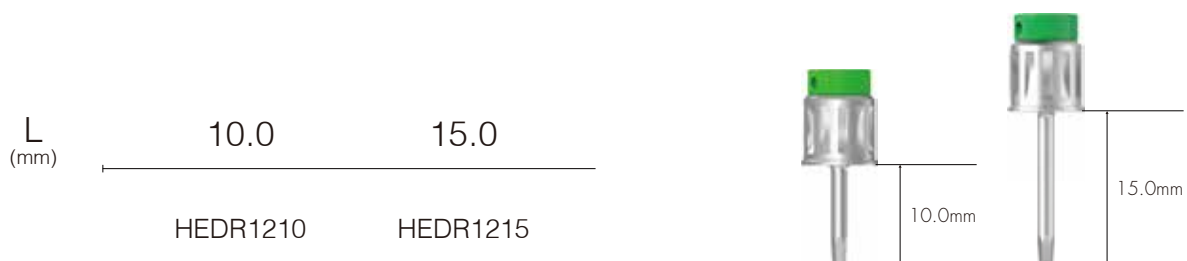
FDRRR23L

Blue

Blue

## 1.2 Hex Driver

- Driver for connecting with Torque Wrench
- Used for connecting to cover screw and surgical instrument with 1.2 Hex
- Follow recommended tightening torque calculation value
- Be sure to check transformation of Hex tip before use



## Torque Wrench

- Used for placing fixture and tightening implant abutments and screws
- Confirm torque calculation value by pulling the bar to be aligned with the marked line
- Recommended to use by pressing head to prevent detachment of Torque Wrench and surgical instruments

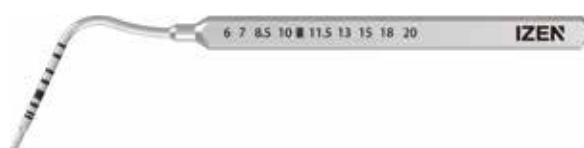


TW60B

# ZENEX SURGERY KIT Instruments

## Depth Gauge

- Measuring drilling depth
- Measurable depth: 6~20mm



DG1720

## Steel Bowl

- Used for cleaning surgery instruments

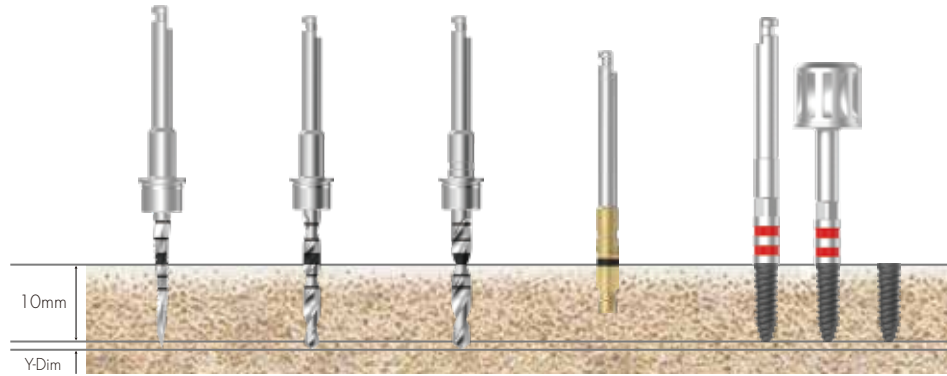


STBOWL

# Drilling Sequence

## Ø 3.0mm Fixture

(ZENEX PLUS I-System X-Narrow)

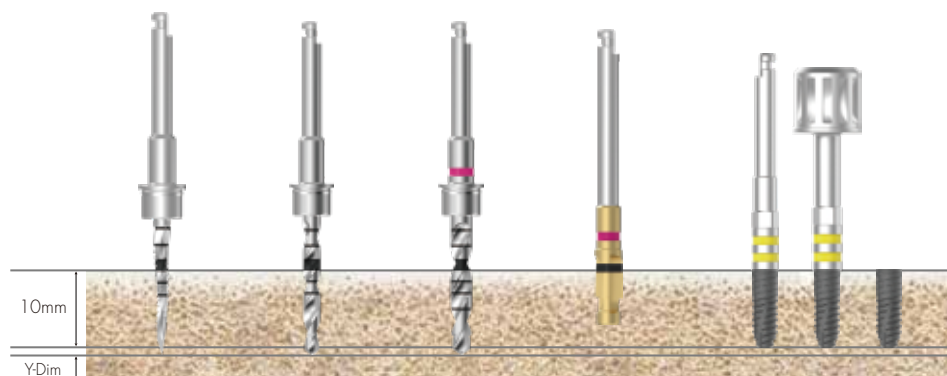


Bone Quality	Guide Drill	Twist Drill (Ø2.2)	Twist Drill (Ø2.5)	Cortical Drill	Ø3.0 Fixture
Soft	▶	▶			Implant Placement
Normal	▶	▶	▶		
Hard	▶	▶	▶	▶	

145  
ZENEX  
KIT

## Ø 3.0mm Fixture

(ZENEX MULTI I-System Narrow)

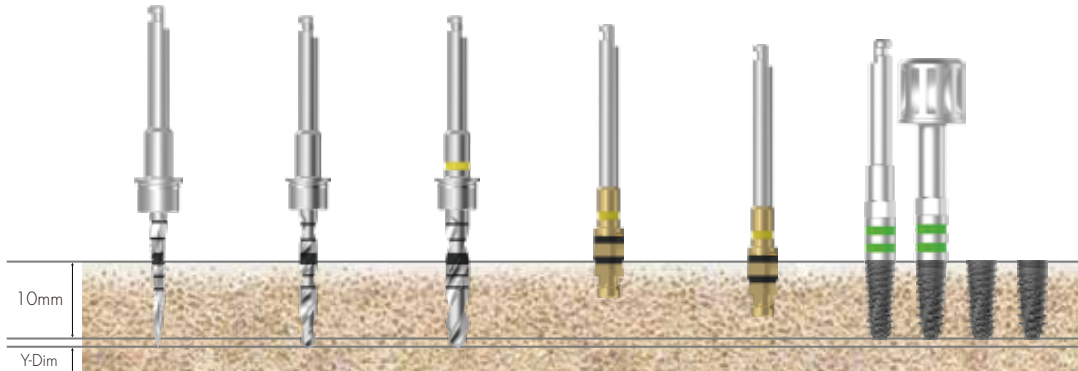


Bone Quality	Guide Drill	Twist Drill (Ø2.2)	Twist Drill (Ø2.7)	Cortical Drill	Ø3.0 Fixture
Soft	▶	▶			Implant Placement
Normal	▶	▶	▶		
Hard	▶	▶	▶	▶	

# Drilling Sequence

## Ø 3.5mm Fixture

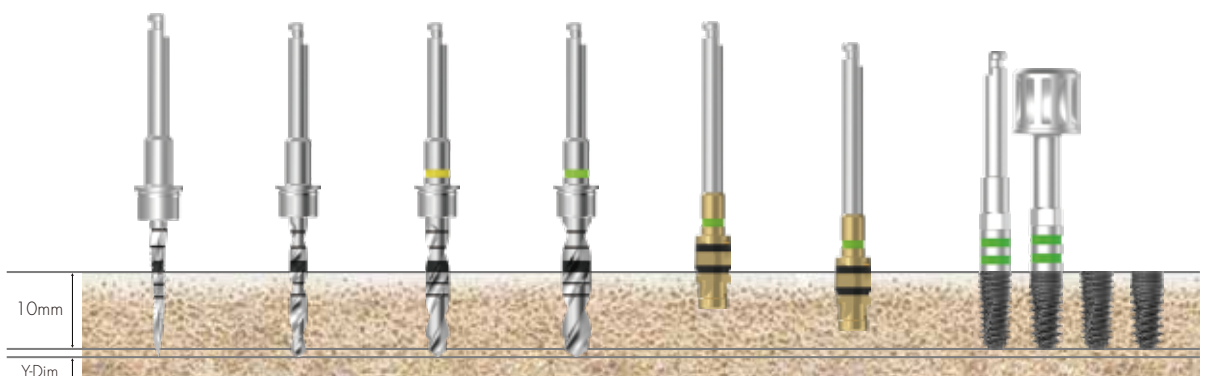
(ZENEX MULTI & PLUS I-System Mini)



Bone Quality	Guide Drill	Twist Drill (Ø2.2)	Twist Drill (Ø3.0)	Cortical Drill (Lower Line)	Cortical Drill (Upper Line)	Ø3.5 Fixture
Soft	▶	▶	▶			Implant Placement
Normal	▶	▶	▶	▶		
Hard	▶	▶	▶		▶	

## Ø 4.0mm Fixture

(ZENEX MULTI & PLUS I-System Regular)

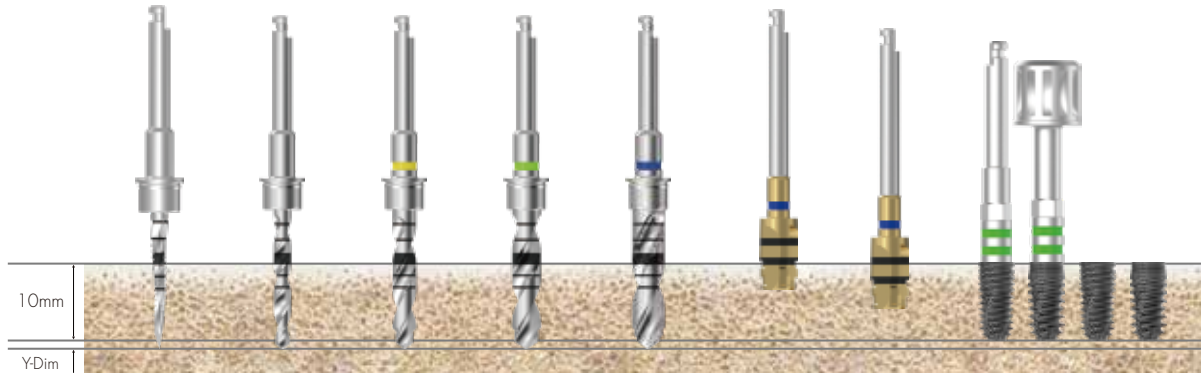


Bone Quality	Guide Drill	Twist Drill (Ø2.2)	Twist Drill (Ø3.0)	Twist Drill (Ø3.6)	Cortical Drill (Lower Line)	Cortical Drill (Upper Line)	Ø4.0 Fixture
Soft	▶	▶	▶	▶			Implant Placement
Normal	▶	▶	▶	▶	▶		
Hard	▶	▶	▶	▶		▶	

# Drilling Sequence

## Ø 4.5mm Fixture

(ZENEX MULTI & PLUS I-System Regular)

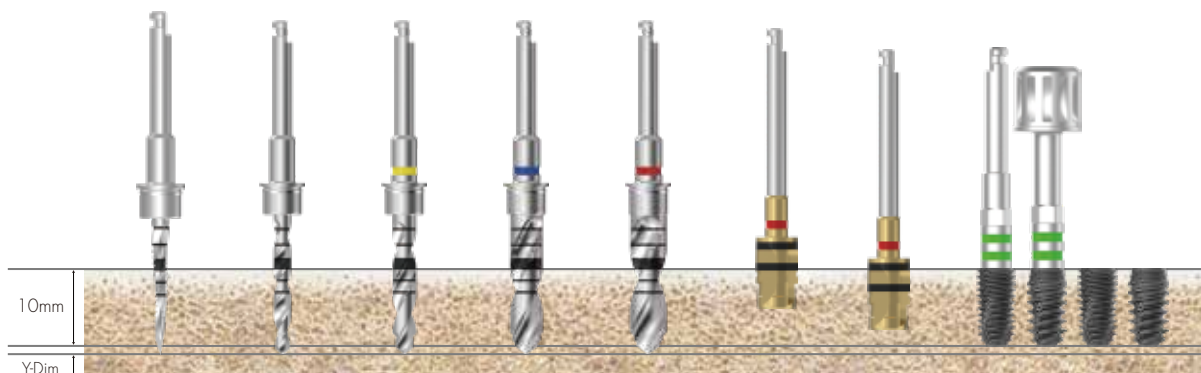


Bone Quality	Guide Drill	Twist Drill (Ø2.2)	Twist Drill (Ø3.0)	Twist Drill (Ø3.6)	Twist Drill (Ø4.1)	Cortical Drill (Lower Line)	Cortical Drill (Upper Line)	Ø4.5 Fixture
Soft	▶	▶	▶	▶	▶			Implant Placement
Normal	▶	▶	▶	▶	▶	▶		
Hard	▶	▶	▶	▶	▶		▶	

147  
ZENEX  
KIT

## Ø 5.0mm Fixture

(ZENEX MULTI & PLUS I-System Wide)

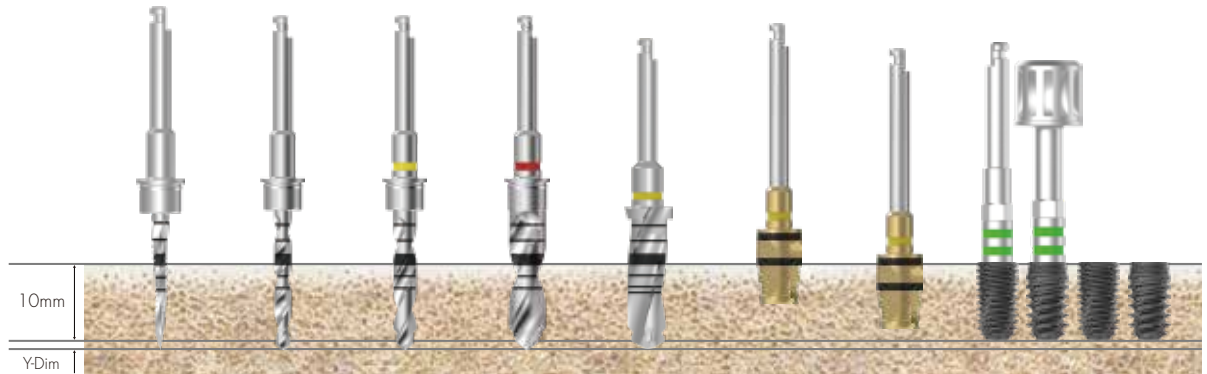


Bone Quality	Guide Drill	Twist Drill (Ø2.2)	Twist Drill (Ø3.0)	Twist Drill (Ø4.1)	Twist Drill (Ø4.6)	Cortical Drill (Lower Line)	Cortical Drill (Upper Line)	Ø5.0 Fixture
Soft	▶	▶	▶	▶	▶			Implant Placement
Normal	▶	▶	▶	▶	▶	▶		
Hard	▶	▶	▶	▶	▶		▶	

# Drilling Sequence

## Ø 5.5mm Fixture

(ZENEX MULTI & PLUS I-System Wide)



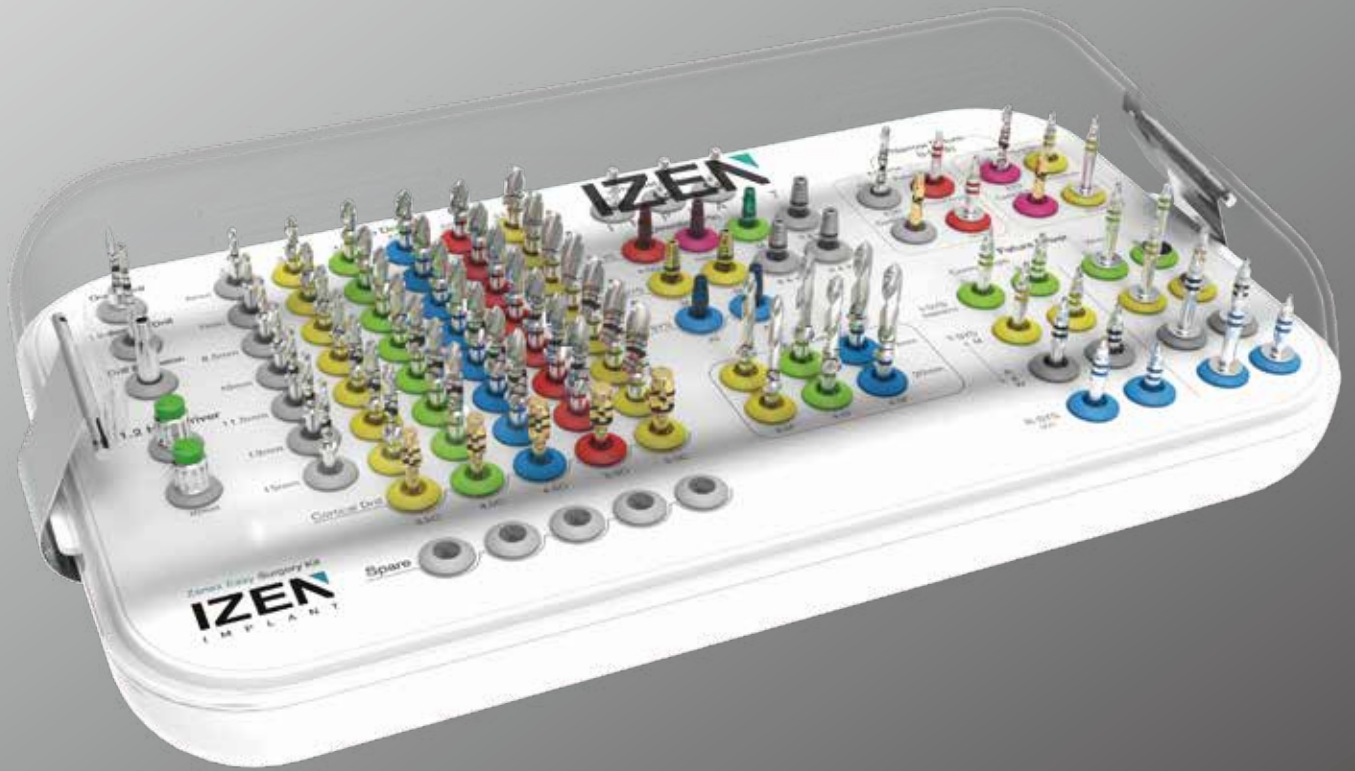
Bone Quality	Guide Drill	Twist Drill (Ø2.2)	Twist Drill (Ø3.0)	Twist Drill (Ø4.6)	Step Drill (Ø5.2)	Cortical Drill (Lower Line)	Cortical Drill (Upper Line)	Ø5.5 Fixture
Soft	▶	▶	▶	▶	▶			Implant Placement
Normal	▶	▶	▶	▶	▶	▶		
Hard	▶	▶	▶	▶	▶		▶	

**IZEN**  
I M P L A N T

149  
ZENEX  
KIT



# ZENEX EASY SURGERY KIT



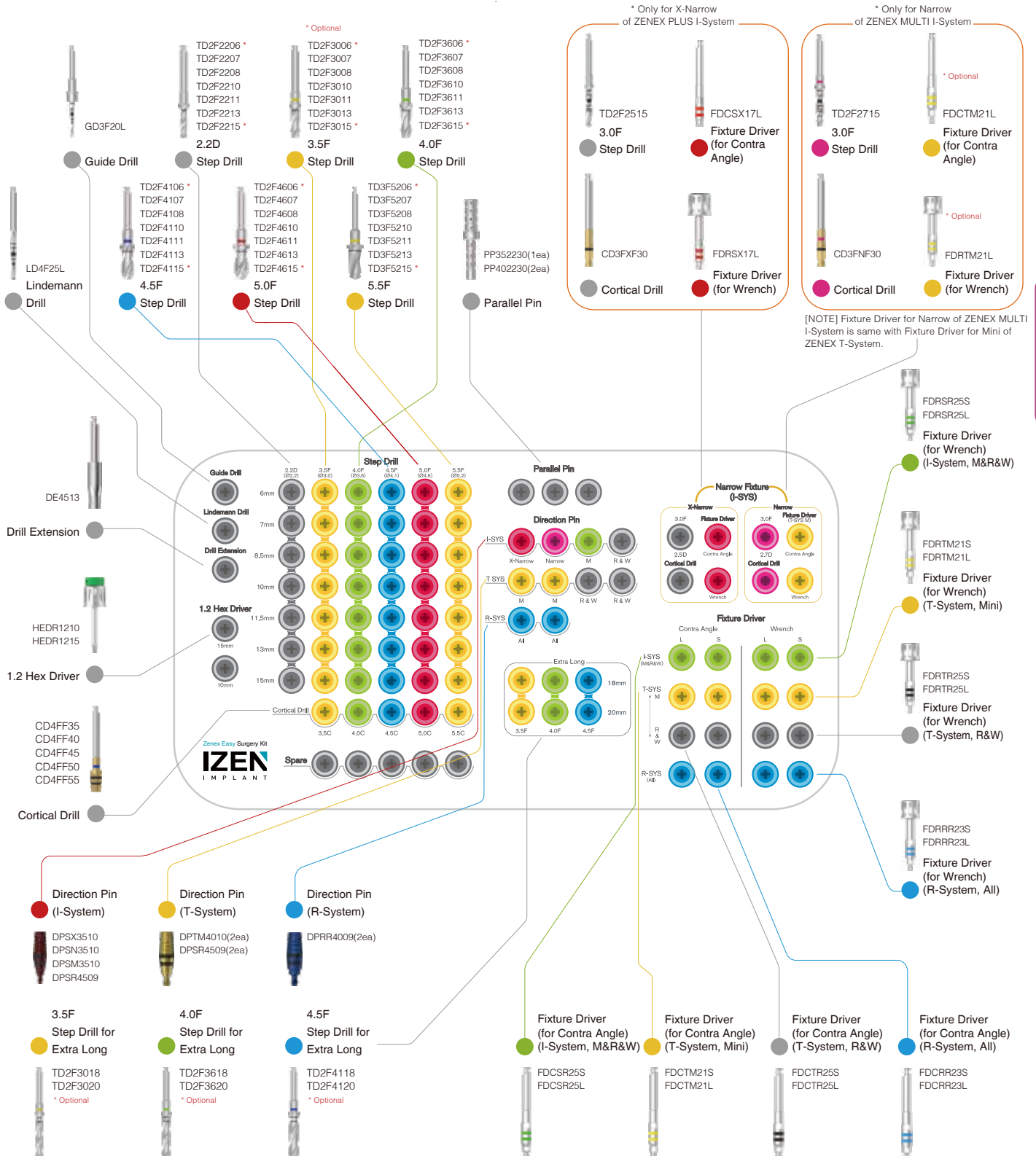
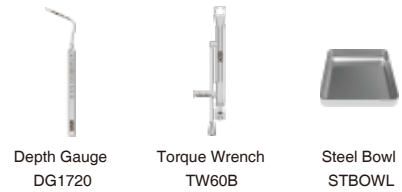
150 ZENEX  
KIT

Zenex Easy Surgery Kit  
**IZEN**  
IMPLANT

Spare

# ZENEX EASY SURGERY KIT

Composition on lower kit tray



151 ZENEX KIT

# ZENEX EASY SURGERY KIT Instruments

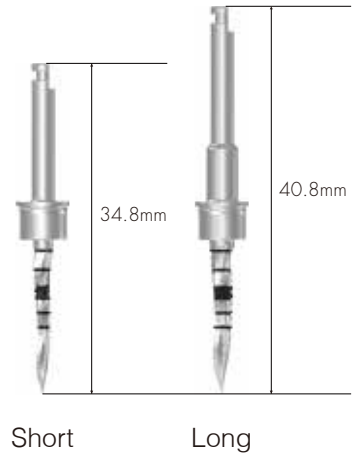
## Guide Drill

- Drill to mark base hole on the bone for easy initial drilling
- Available to control drilling depth by using with stopper
- Product Code in the Kit: GD3F20L

D (mm)  $\overline{\hspace{10em}} \quad \text{Ø1.5 / Ø2.0}$

**Short** GD3F20S

**Long** GD3F20L



## Lindemann Drill

- Outward blades allow side cutting during drilling
- Available to use when removing ridge part of extraction socket
- Product Code in the Kit: LD4F25L

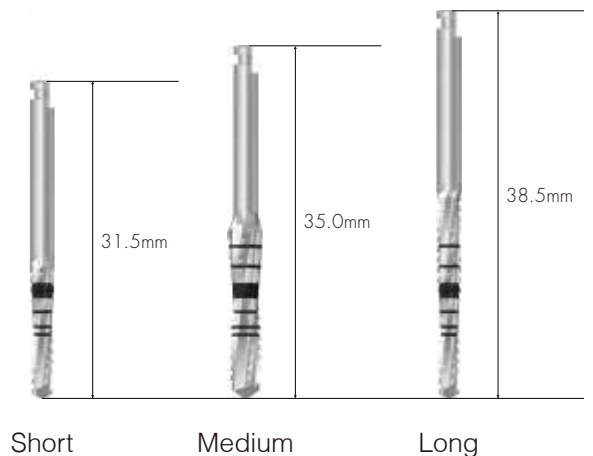
D (mm)  $\overline{\hspace{10em}} \quad \text{Ø1.5 / Ø2.0} \quad \text{Ø2.0 / Ø2.5}$

**Short** LD4F20S LD4F25S

**Long** LD4F20L LD4F25L

D (mm)  $\overline{\hspace{10em}} \quad \text{Ø3.0 / Ø3.5}$

**Medium** LD4F35M



# Drill Extension

- Lengthen surgical instrument in use by connecting to drill and Implant motor
- Be sure to use after accurate connection to prevent product detachment or bending that connected to Drill Extension

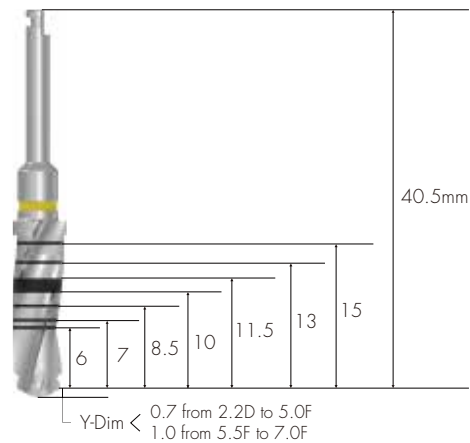
DE4513



# Step Drill

- Straight drill to shorten surgery steps
- As stopper is applied in the drill, secure to use although depth control may be difficult due to excellent cutting power
- Colored line on grip part of drill indicates diameter of drill and matching fixture size.

\* Optional



153 ZENEX KIT

- Two kinds of step drill for X-Narrow (ZENEX PLUS I-System) & Narrow (ZENEX MULTI I-System) are included in the Kit.



X-Narrow

Narrow

3.0F (Ø2.2 / Ø2.5)

3.0F (Ø2.2 / Ø2.7)

L (mm)

15.0

TD2F2515

TD2F2715

# ZENEX EASY SURGERY KIT Instruments

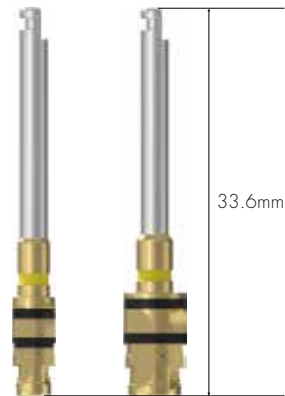
## Step Drill

\* Optional

L (mm)	2.2D	3.5F	4.0F
	(Ø1.8 / Ø2.2)	(Ø2.2 / Ø3.0)	(Ø3.0 / Ø3.6)
6.0	TD2F2206 *	TD2F3006 *	TD2F3606 *
7.0	TD2F2207	TD2F3007	TD2F3607
8.5	TD2F2208	TD2F3008	TD2F3608
10.0	TD2F2210	TD2F3010	TD2F3610
11.5	TD2F2211	TD2F3011	TD2F3611
13.0	TD2F2213	TD2F3013	TD2F3613
15.0	TD2F2215 *	TD2F3015 *	TD2F3615 *
18.0	-	TD2F3018 *	TD2F3618 *
20.0	-	TD2F3020 *	TD2F3620 *
L (mm)	4.5F	5.0F	5.5F
	(Ø3.0 / Ø3.6 / Ø4.1)	(Ø3.0 / Ø4.1 / Ø4.6)	(Ø4.6 / Ø5.2)
6.0	TD2F4106 *	TD2F4606 *	TD3F5206 *
7.0	TD2F4107	TD2F4607	TD3F5207
8.5	TD2F4108	TD2F4608	TD3F5208
10.0	TD2F4110	TD2F4610	TD3F5210
11.5	TD2F4111	TD2F4611	TD3F5211
13.0	TD2F4113	TD2F4613	TD3F5213
15.0	TD2F4115 *	TD2F4615 *	TD3F5215 *
18.0	TD2F4118 *	-	-
20.0	TD2F4120 *	-	-

# Cortical Drill

- Drill used for removing cortical bone from hard bone
- Drill to the bottom of each marking line
- The lower marking line is for drilling on normal bone and the upper marking line is for drilling on hard bone



	3.0C (X-Narrow)	3.0C (Narrow)	3.5C	4.0C	4.5C	5.0C	5.5C
	CD3FXF30	CD3FNF30	CD4FF35	CD4FF40	CD4FF45	CD4FF50	CD4FF55
COLOR	None	Purple	Yellow	Green	Blue	Red	Yellow

# Direction Pin

- Confirm gingiva height and path after implant placement
- DPSR4509: Available to use in case of ZENEX I-System (Regular & Wide) and ZENEX T-System (Regular & Wide)
- \*Only use red marked components for I-System**

I-System	X-Narrow (Ø3.5)	Narrow (Ø3.5)	Mini (Ø3.5)	R/W (Ø4.5)
COLOR	DPSX3510* Red	DPSN3510* Purple	DPSM3510* Green	DPSR4509* Metal

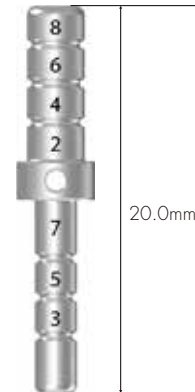
- For ZENEX MULTI I-System (based on connection): Narrow, Mini, Regular & Wide
- For ZENEX PLUS I-System (based on connection): X-Narrow, Mini, Regular & Wide

T-System	Mini (Ø3.5)	R/W (Ø4.5)	R-System	M/R/W (Ø4.0)
COLOR	DPTM4010 Yellow	DPSR4509 Metal	COLOR	DPRR4009 Blue

# ZENEX EASY SURGERY KIT Instruments

## Parallel Pin

- Used for confirmation of drilling depth and path
- Available to use after drilling with Ø2.2 Drill and Ø3.0 drill
- Composition in the kit: PP352230 (1 ea) + PP402230 (2 ea)



D (mm)	Ø3.5	Ø4.0	Ø5.0	Ø6.0
	PP352230	PP402230	PP502230	PP602230

## Fixture Driver

- For Contra Angle: Directly attached to fixture by connecting to handpiece when using Implant motor
- For Wrench: Directly attached to fixture by using Torque Wrench
- Two-staged coloring enables measurement up to 5mm height at 1mm interval
- Be sure to use after accurate connection because once used with incorrectly connected driver, it is impossible to remove fixture.
- Be sure to use accurate fixture driver according to the system of fixture.
- ※ Fixture Driver for Narrow of ZENEX MULTI I-System: Same with Mini of ZENEX T-System (Optional)
- ※ Code not included in the FDCTX17S, FDRSX17S, All four drivers for Narrow of ZENEX MULTI I-System (FDCTM21S, FDCTM21L, FDRTM21S, FDRTM21L)
- \*Only use red marked components for I-System

### I-System

#### Contra Angle

#### Wrench



X-Narrow

Narrow

M/R/W

X-Narrow

Narrow

M/R/W

Short

FDCSX17S\*

FDCTM21S

FDCSR25S\*

FDRSX17S\*

FDRTM21S

FDRSR25S\*

Long

FDCSX17L\*

FDCTM21L\*

FDCSR25L\*

FDRSX17L\*

FDRTM21L\*

FDRSR25L\*

COLOR

Red

Yellow

Green

Red

Yellow

Green

- For ZENEX MULTI I-System (based on connection): Narrow, Mini, Regular & Wide
- For ZENEX PLUS I-System (based on connection): X-Narrow, Mini, Regular & Wide

## T-System

Contra Angle



Mini

R/W

Wrench



Mini

R/W

**Short**

**Long**

COLOR

FDCTM21S

FDCTR25S

FDRTM21S

FDRTR25S

FDCTM21L

FDCTR25L

FDRTM21L

FDRTR25S

Yellow

Black

Yellow

Black

## R-System

Contra Angle



M/R/W

Wrench



M/R/W

**Short**

**Long**

COLOR

FDCRR23S

FDRRR23S

FDCRR23L

FDRRR23L

Blue

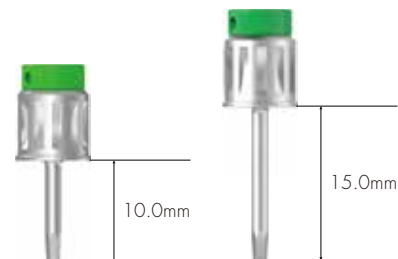
Blue



## 1.2 Hex Driver

- Driver for connecting with Torque Wrench
- Used for connecting to cover screw and surgical instrument with 1.2 Hex
- Follow recommended tightening torque calculation value
- Be sure to check transformation of Hex tip before use

L (mm)	10.0	15.0
	HEDR1210	HEDR1215



158 ZENEX  
KIT

## Torque Wrench

- Used for placing fixture and tightening implant abutments and screws
- Confirm torque calculation value by pulling the bar to be aligned with the marked line
- Recommended to use by pressing head to prevent detachment of Torque Wrench and surgical instruments



TW60B

## Depth Gauge

- Measuring drilling depth
- Measurable depth: 6~20mm



DG1720

## Steel Bowl

- Used for cleaning surgery instruments

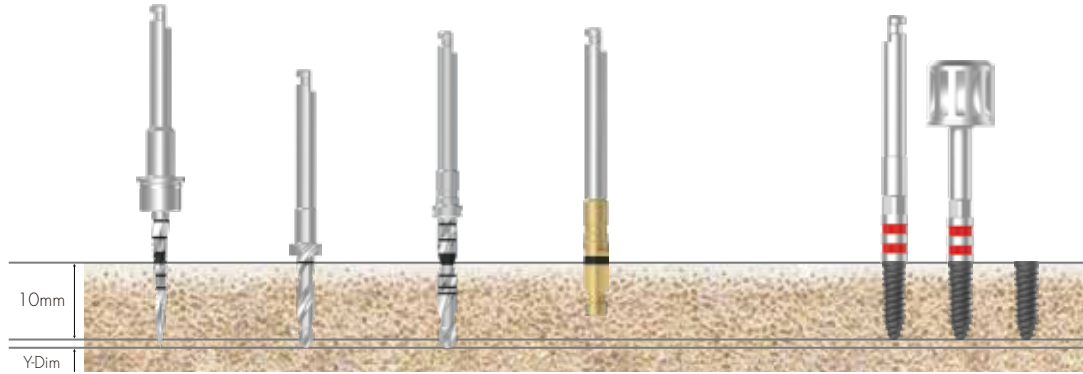


STBOWL

# Drilling Sequence

## Ø 3.0mm Fixture

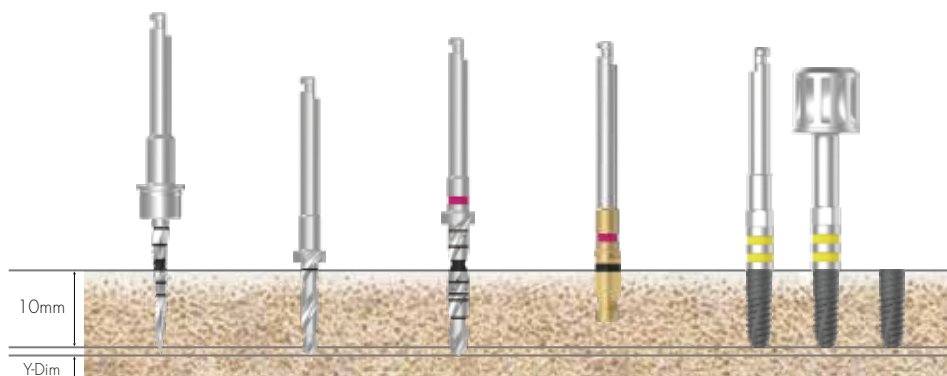
(ZENEX PLUS I-System X-Narrow)



Bone Quality	Guide Drill	Step Drill (Ø2.2)	Step Drill (Ø2.5)	Cortical Drill	Ø3.0 Fixture
Soft	▶	▶	▶		Implant Placement
Normal	▶	▶	▶		
Hard	▶	▶	▶	▶	

## Ø 3.0mm Fixture

(ZENEX MULTI I-System Narrow)

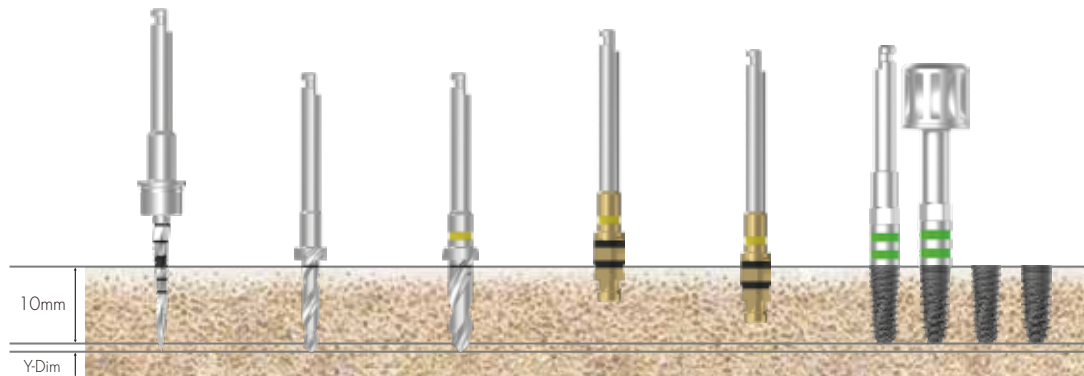


Bone Quality	Guide Drill	Step Drill (Ø2.2)	Step Drill (Ø2.7)	Cortical Drill	Ø3.0 Fixture
Soft	▶	▶	▶		Implant Placement
Normal	▶	▶	▶		
Hard	▶	▶	▶	▶	

# Drilling Sequence

## Ø 3.5mm Fixture

(ZENEX MULTI & PLUS I-System Mini)

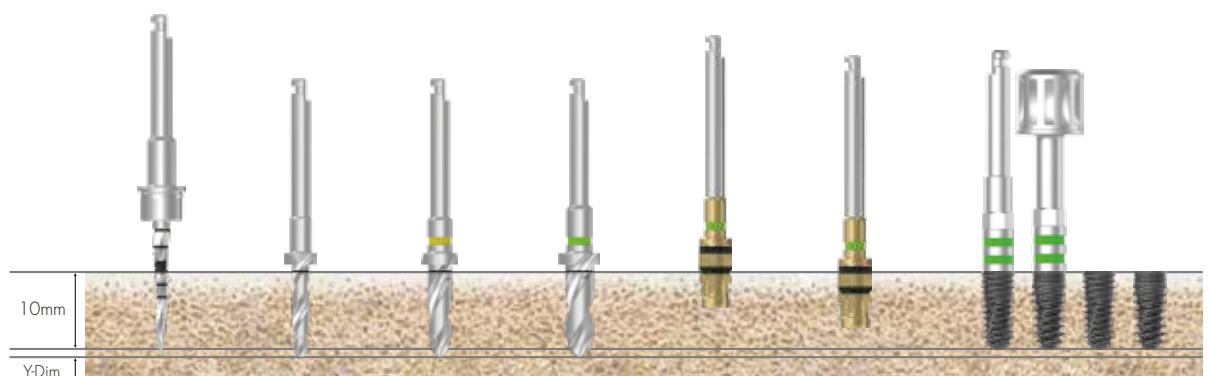


Bone Quality	Guide Drill	Step Drill (Ø2.2)	Step Drill (Ø3.0)	Cortical Drill (Lower Line)	Cortical Drill (Upper Line)	Ø3.5 Fixture
Soft	▶	▶	▶			Implant Placement
Normal	▶	▶	▶	▶		
Hard	▶	▶	▶		▶	

161 ZENEX KIT

## Ø 4.0mm Fixture

(ZENEX MULTI & PLUS I-System Regular)

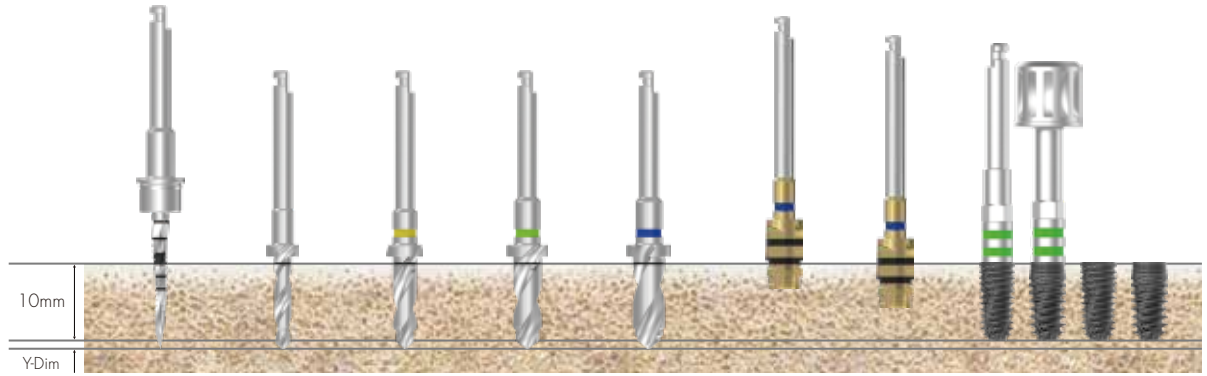


Bone Quality	Guide Drill	Step Drill (Ø2.2)	Step Drill (Ø3.0)	Step Drill (Ø3.6)	Cortical Drill (Lower Line)	Cortical Drill (Upper Line)	Ø4.0 Fixture
Soft	▶	▶	▶	▶			Implant Placement
Normal	▶	▶	▶	▶	▶		
Hard	▶	▶	▶	▶		▶	

# Drilling Sequence

## Ø 4.5mm Fixture

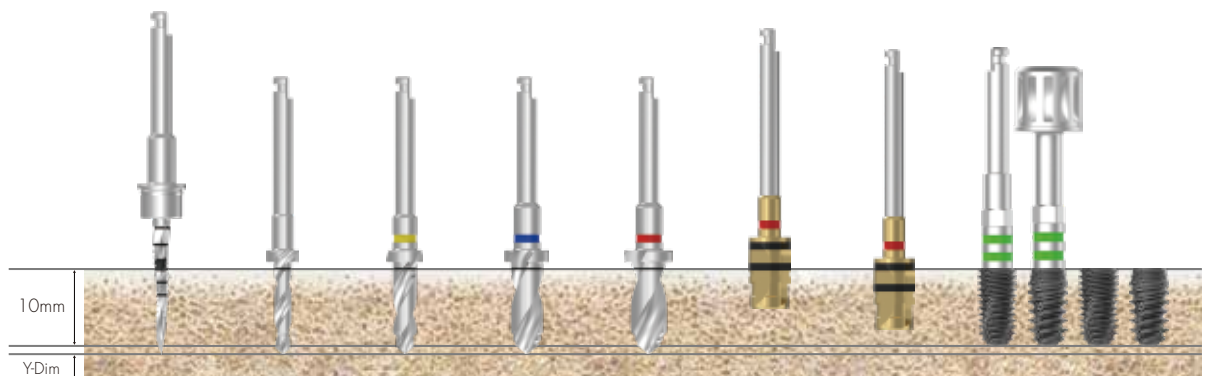
(ZENEX MULTI & PLUS I-System Regular)



Bone Quality	Guide Drill	Step Drill (Ø2.2)	Step Drill (Ø3.0)	Step Drill (Ø3.6)	Step Drill (Ø4.1)	Cortical Drill (Lower Line)	Cortical Drill (Upper Line)	Ø4.5 Fixture
Soft	▶	▶	▶	▶	▶			Implant Placement
Normal	▶	▶	▶	▶	▶	▶		
Hard	▶	▶	▶	▶	▶		▶	

## Ø 5.0mm Fixture

(ZENEX MULTI & PLUS I-system Wide)

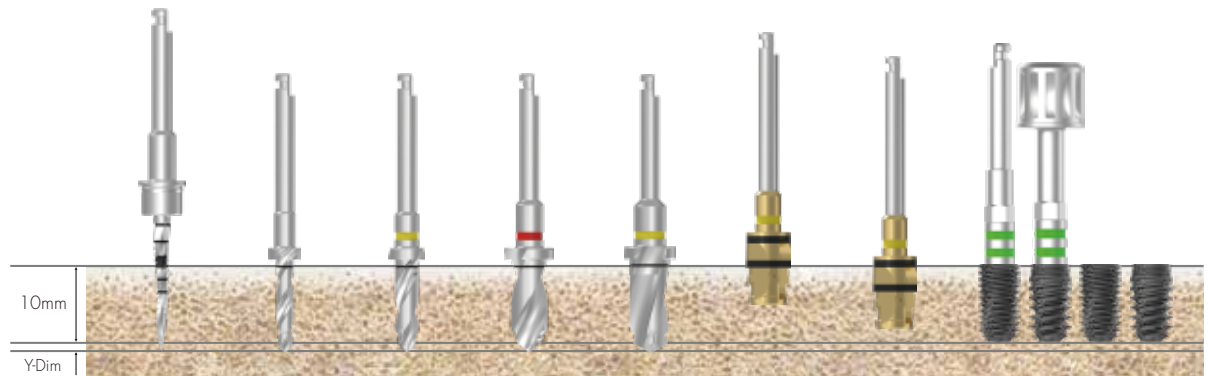


Bone Quality	Guide Drill	Step Drill (Ø2.2)	Step Drill (Ø3.0)	Step Drill (Ø4.1)	Step Drill (Ø4.6)	Cortical Drill (Lower Line)	Cortical Drill (Upper Line)	Ø5.0 Fixture
Soft	▶	▶	▶	▶	▶			Implant Placement
Normal	▶	▶	▶	▶	▶	▶		
Hard	▶	▶	▶	▶	▶		▶	

# Drilling Sequence

## Ø 5.5mm Fixture

(ZENEX MULTI & PLUS I-System Wide)

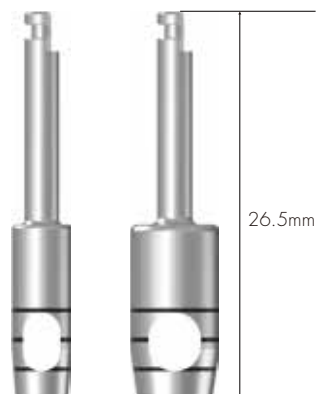


Bone Quality	Guide Drill	Step Drill (Ø2.2)	Step Drill (Ø3.0)	Step Drill (Ø4.6)	Step Drill (Ø5.2)	Cortical Drill (Lower Line)	Cortical Drill (Upper Line)	Ø5.5 Fixture
Soft	▶	▶	▶	▶	▶			Implant Placement
Normal	▶	▶	▶	▶	▶	▶		
Hard	▶	▶	▶	▶	▶		▶	

# Other Surgical Instruments

## Tissue Punch

- Marked with a gap of 2mm each to measure gingiva height
- Surgical instrument for Flapless surgery



D (mm)	Ø3.3	Ø3.8	Ø4.3	Ø4.8	Ø5.3
	TP3308	TP3808	TP4308	TP4808	TP5308

164 ZENEX KIT

## Trephine Drill

- Use for collecting autogenous bone or removing failed fixture
- In case of Superwide fixture placement, available to use as initial drill



D (mm)	Ø3.7/4.5	Ø4.2/5.0	Ø4.7/5.5	Ø5.2/6.0	Ø5.7/6.5	Ø6.2/7.0
	TD3718	TD4218	TD4718	TD5218	TD5718	TD6218

# Bone Profiler

- Use for removing marginal bone around fixture during the one-stage and two-stages surgery- Available to connect Healing Abutment by removing marginal bone after connecting Bone Profiler Guide Screw to the connection on Fixture
- Secure guided length of Bone Profiler Guide Screw to remove bone accurately for deeply placed fixture
- Bone Profiler Guide Screw is used for protecting fixture connection during use



## I-System ※ Only for I-System

D (mm)	Ø4.1 (For Ø3.0 X-Narrow)		Ø4.1 (For Ø3.0 Narrow)	
	SBP41SXS		SBP41SNS	
D (mm)	Ø4.1	Ø4.6	Ø5.6	Ø7.6
	SBP41SS	SBP46SS	SBP56SS	SBP76SS

## T-System ※ Only for T-System

D (mm)	Ø4.1	Ø4.6	Ø5.6	Ø7.6
	SBP41TS	SBP46TS	SBP56TS	SBP76TS

## R-System ※ Only for R-System

D (mm)	Ø4.1	Ø4.6	Ø5.6	Ø7.6
	SBP41RS	SBP46RS	SBP56RS	SBP76RS

	I-System		T-System		R-System		
Bone Profiler Guide Screw	X-Narrow	Narrow	Mini	Regular	Mini	Mini	Regular
	SBPGSSX14	SBPGSSN20	SBPGSSM20	SBPGSSR20	SBPGSTM20	SBPGSRM18	SBPGSRR18



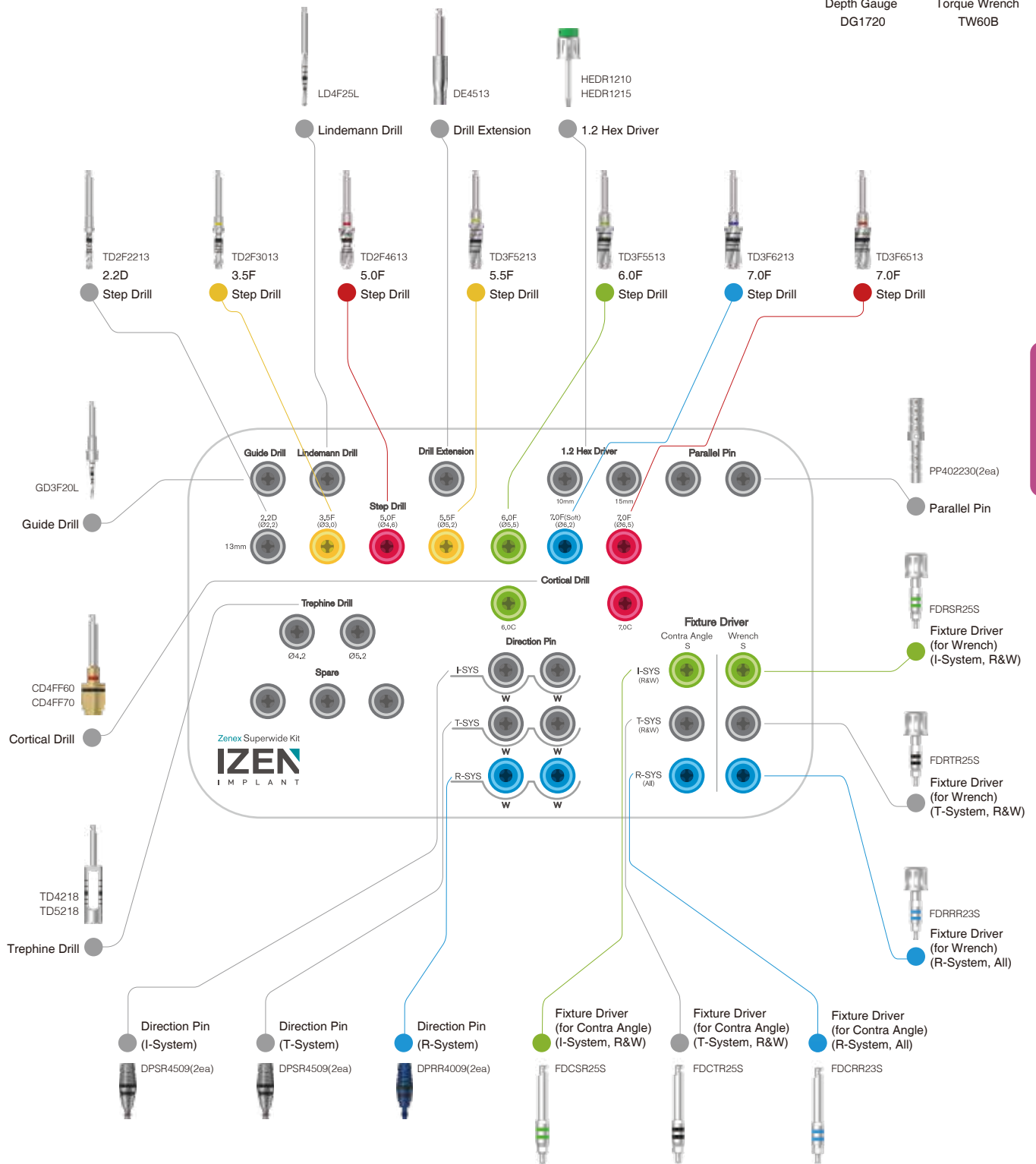
# ZENEX SUPERWIDE KIT

166 ZENEX  
KIT



# ZENEX SUPERWIDE KIT

Composition on lower kit tray



167  
ZENEX  
KIT

# ZENEX SUPERWIDE KIT Instruments

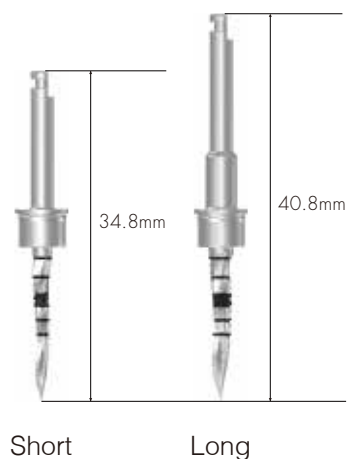
## Guide Drill

- Drill to mark base hole on the bone for easy initial drilling
- Available to control drilling depth by using with stopper
- Product Code in the Kit: GD3F20L

D (mm)  $\overline{\quad\quad\quad}$   $\text{\O}1.5 / \text{\O}2.0$

**Short** GD3F20S

**Long** GD3F20L



## Lindemann Drill

- Outward blades allow side cutting during drilling
- Available to use when removing ridge part of extraction socket
- Product Code in the Kit: LD4F25L

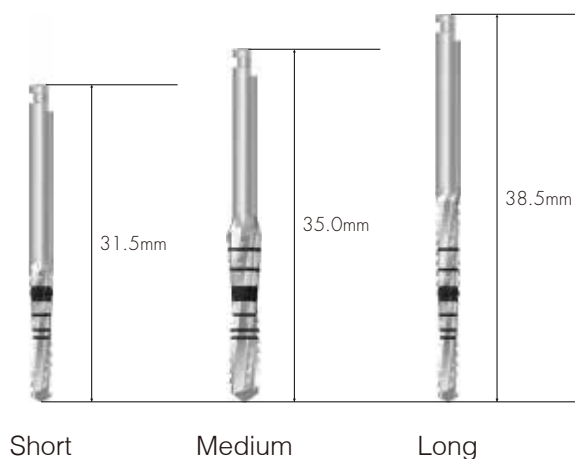
D (mm)  $\overline{\quad\quad\quad}$   $\text{\O}1.5 / \text{\O}2.0$      $\text{\O}2.0 / \text{\O}2.5$

**Short** LD4F20S LD4F25S

**Long** LD4F20L LD4F25L

D (mm)  $\overline{\quad\quad\quad}$   $\text{\O}3.0 / \text{\O}3.5$

**Medium** LD4F35M



## Drill Extension

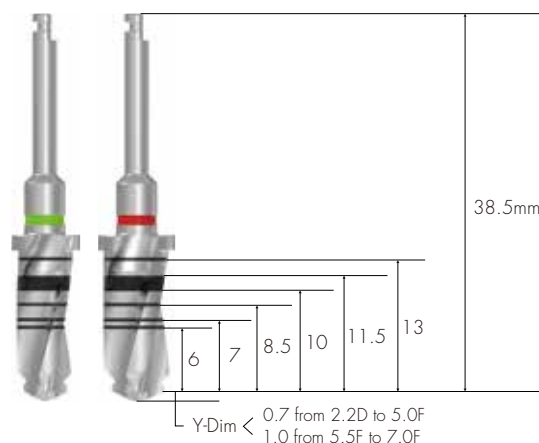
- Lengthen surgical instrument in use by connecting to drill and Implant motor
- Be sure to use after accurate connection to prevent product detachment or bending that connected to Drill Extension

DE4513



## Step Drill

- Straight drill to shorten surgery steps
- As stopper is applied in the drill, secure to use although depth control may be difficult due to excellent cutting power
- Colored line on grip part of drill indicates diameter of drill and matching fixture size.
- The length of 13mm step drill is applied only in the kit.
- ※ TD3F6213: Only use for drilling on soft bone when Ø 7.0 fixture is placed.



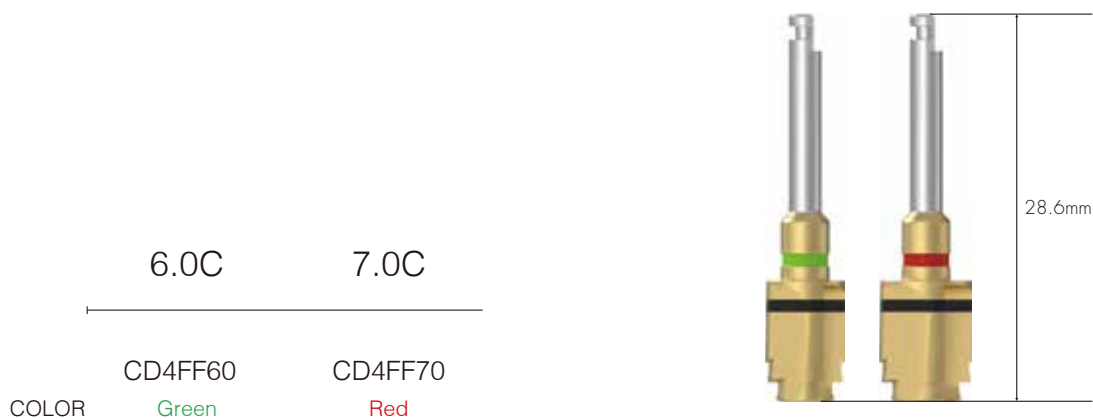
169 ZENEX KIT

D (mm)	2.2D (Ø1.8 / Ø2.2)	3.5F (Ø2.2 / Ø3.0)	5.0F (Ø3.0 / Ø4.1 / Ø4.6)
	TD2F2213	TD2F3013	TD2F4613
D (mm)	5.5F (Ø4.6 / Ø5.2)	6.0F (Ø4.6 / Ø5.5)	7.0F (Ø5.5 / Ø6.2)
	TD3F5213	TD3F5513	TD3F6213
D (mm)	7.0F (Ø5.5 / Ø6.5)		
	TD3F6513		

# ZENEX SUPERWIDE KIT Instruments

## Cortical Drill

- Drill used for removing cortical bone from hard bone
- Drill to the bottom of each marking line
- In case of Wide fixture (more than Ø6.0) placement, use only for hard bone case.



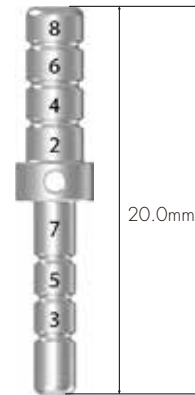
## Direction Pin

- Confirm gingiva height and path after implant placement
  - DPSR4509: Available to use in case of ZENEX I-System (Regular & Wide) and ZENEX T-System (Regular & Wide)
  - 2 pins of each system are included in the kit, in accordance with fixture system.
- The user may choose the product, matching with the system



# Parallel Pin

- Used for confirmation of drilling depth and path
- Available to use after drilling with Ø2.2 Drill and Ø3.0 drill
- Composition in the kit: PP402230 (2 ea)



D (mm)	Ø3.5	Ø4.0	Ø5.0	Ø6.0
	PP352230	PP402230	PP502230	PP602230

# Fixture Driver

- For Contra Angle: Directly attached to fixture by connecting to handpiece when using Implant motor
- For Wrench: Directly attached to fixture by using Torque Wrench
- Two-staged coloring enables measurement up to 5mm height at 1mm interval
- Be sure to use after accurate connection because once used with incorrectly connected driver, it is impossible to remove fixture
- Be sure to use accurate fixture driver according to the system of fixture.
- Short type of fixture driver is included only

## I-System \* Only for I-System

Contra Angle

Wrench



M/R/W

M/R/W

**Short**  
COLOR

FDCSR25S  
Green

FDRSR25S  
Green

# ZENEX SUPERWIDE KIT Instruments

**T-System** ※ Only for T-System

Contra Angle



R/W

**Short**  
COLOR

FDCTR25S  
Black

Wrench



R/W

FDRTR25S  
Black

**R-System** ※ Only for R-System

Contra Angle



M/R/W

**Short**  
COLOR

FDCRR23S  
Blue

Wrench

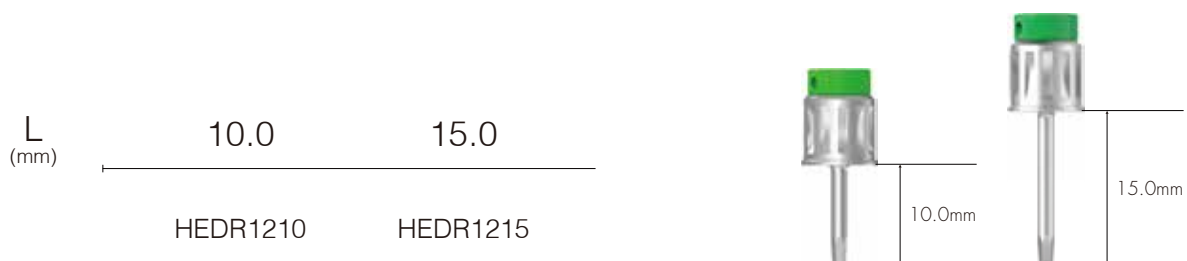


M/R/W

FDRRR23S  
Blue

## 1.2 Hex Driver

- Driver for connecting with Torque Wrench
- Used for connecting to cover screw and surgical instrument with 1.2 Hex
- Follow recommended tightening torque calculation value
- Be sure to check transformation of Hex tip before use



## Torque Wrench

- Used for placing fixture and tightening implant abutments and screws
- Confirm torque calculation value by pulling the bar to be aligned with the marked line
- Recommended to use by pressing head to prevent detachment of Torque Wrench and surgical instruments



TW60B



# ZENEX SUPERWIDE KIT Instruments

## Depth Gauge

- Measuring drilling depth
- Measurable depth: 6~20mm

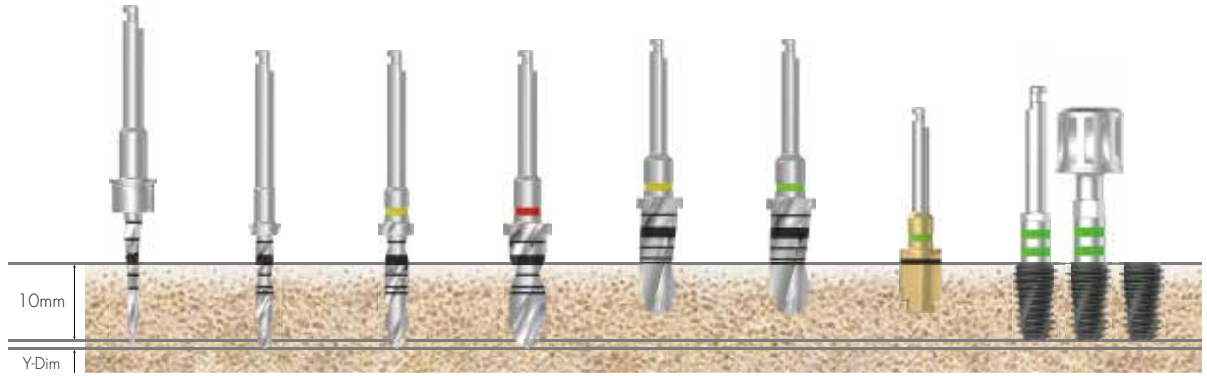


DG1720

# Drilling Sequence

## Ø 6.0mm Fixture

(ZENEX MULTI I-System Wide)

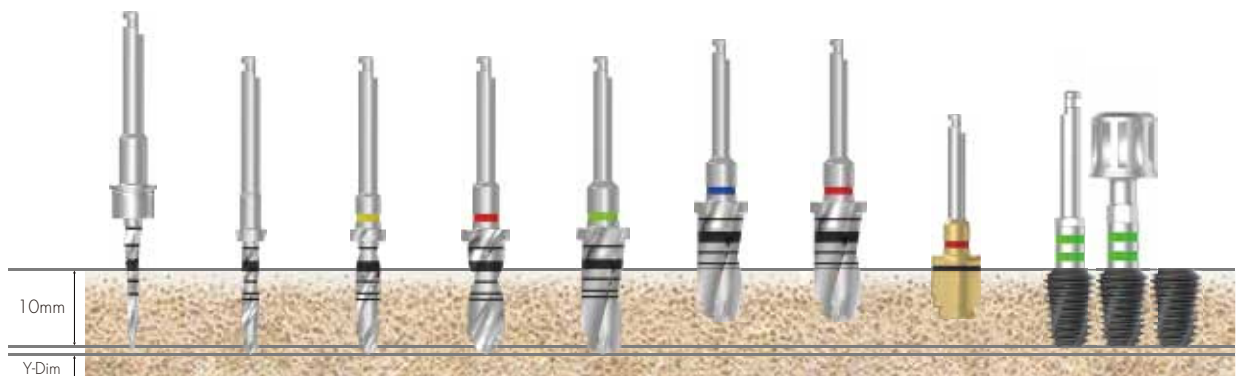


Bone Quality	Guide Drill	Step Drill (Ø2.2)	Step Drill (Ø3.0)	Step Drill (Ø4.6)	Step Drill (Ø5.2)	Step Drill (Ø5.5)	Cortical Drill	Ø6.0 Fixture
Soft	▶	▶	▶	▶	▶ (6mm)			Implant Placement
Normal	▶	▶	▶	▶		▶ (6mm)		
Hard	▶	▶	▶	▶		▶ (6mm)	▶	

175 ZENEX KIT

## Ø 7.0mm Fixture

(ZENEX MULTI I-System Wide)



Bone Quality	Guide Drill	Step Drill (Ø2.2)	Step Drill (Ø3.0)	Step Drill (Ø4.6)	Step Drill (Ø5.5)	Step Drill (Ø6.2)	Step Drill (Ø6.5)	Cortical Drill	Ø7.0 Fixture
Soft	▶	▶	▶	▶	▶	▶ (6mm)			Implant Placement
Normal	▶	▶	▶	▶	▶		▶ (6mm)		
Hard	▶	▶	▶	▶	▶		▶ (6mm)	▶	

# ZENEX PROSTHETIC KIT

176 ZENEX  
KIT

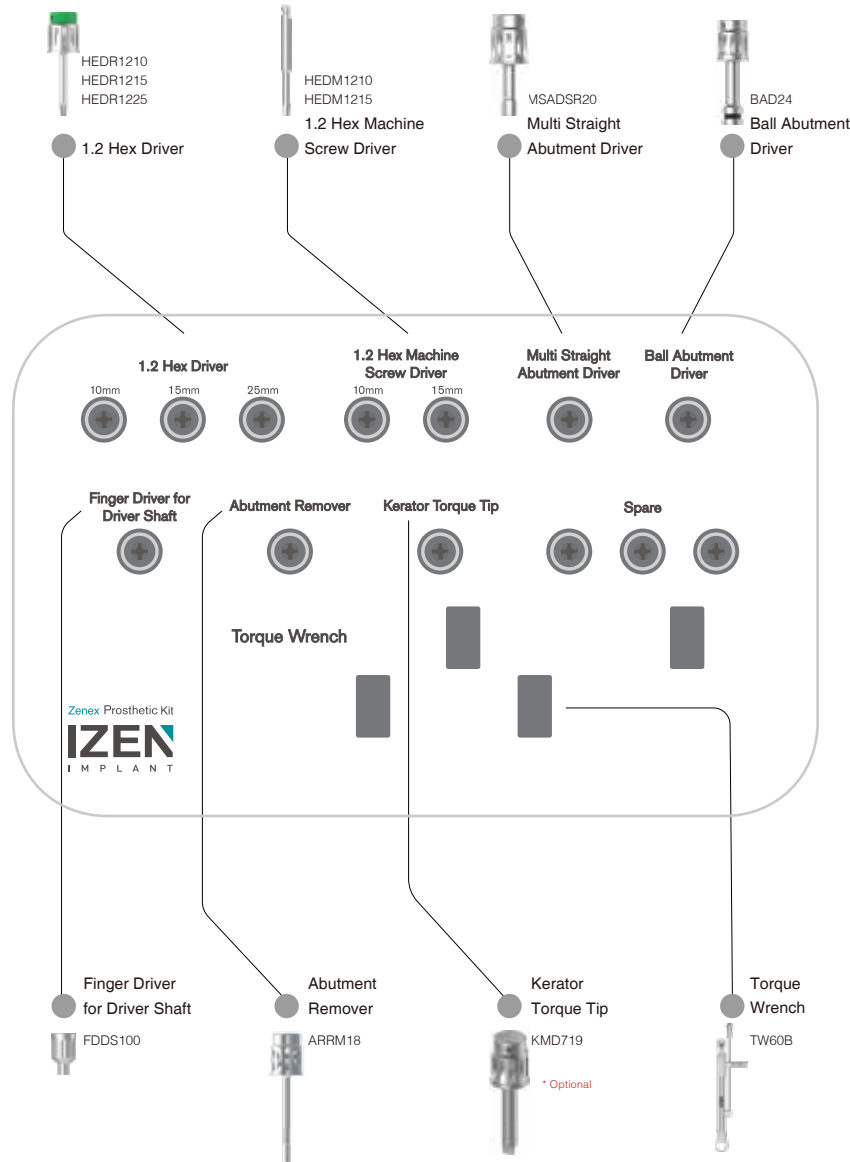


# ZENEX PROSTHETIC KIT

Composition on lower kit tray



Kerator Magic Tool  
KMT002

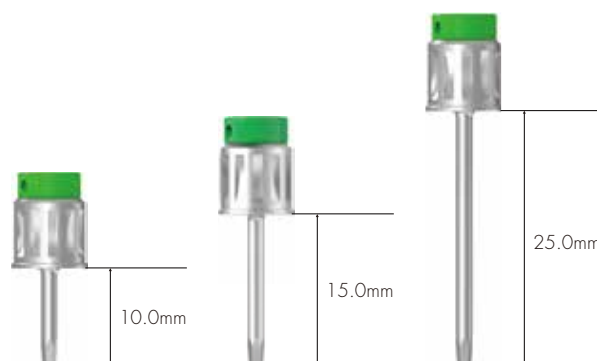


177  
ZENEX  
KIT

## 1.2 Hex Driver

- Driver for connecting with Torque Wrench
- Used for connecting to cover screw and surgical instrument with 1.2 Hex
- Follow recommended tightening torque calculation value
- Be sure to check transformation of Hex tip before use

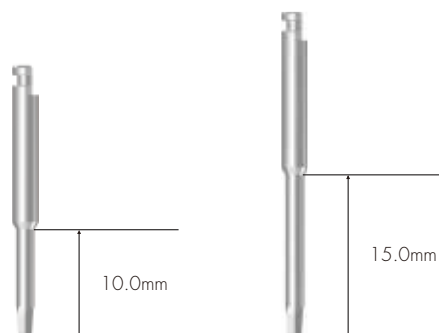
L (mm)	10.0	15.0	25.0
	HEDR1210	HEDR1215	HEDR1225



## 1.2 Hex Machine Screw Driver

- Driver for implant motor
- Implement holding instrument
- Available to use by hand when connected to Finger Driver for Driver Shaft

L (mm)	10.0	15.0
	HEDM1210	HEDM1215



## Abutment Remover

- Use for removing abutment when it is impossible to remove abutment by hands due to strong connection force.
  - Remove Abutment by keep tightening the remover clockwise after removing abutment screw
- ※ R-System use only



ARRM18

## Finger Driver for Driver Shaft

- Available to rotate with hand by connecting to every surgery instrument for motor



FDDS100

# ZENEX PROSTHETIC KIT Instruments

## Ball Abutment Driver

- Torque driver for Ball Abutment



BAD24

## Multi Straight Abutment Driver

- Torque driver for Multi Straight Abutment



MSADSR20

## Torque Wrench

- Used for placing fixture and tightening implant abutments and screws
- Confirm torque calculation value by pulling the bar to be aligned with the marked line
- Recommended to use by pressing head to prevent detachment of Torque Wrench and surgical instruments



TW60B

## Kerator Magic Tool

- Use to connect and remove replacement male on denture cap
- As separated into two pieces, it is easy for maintenance (Optional)



KMT002



## Kerator Torque Tip

- Torque driver for Kerator Abutment (Optional)

Round Type



KMD719

**IZEN**  
I M P L A N T

183  
ZENEX  
KIT

## 1. Description of Izenimplant System's product

This product is a dental implant which is put into the alveolar bone in order to support, or maintain the prosthetic tooth or denture when a patient's teeth are partially or totally lost. To enhance the osseointegration with the alveolar bone, this titanium dental implant is treated with SLA surface.

## 2. Indications for use

The ZENEX MULTI implant and ZENEX PLUS implant are indicated for use in partially or fully edentulous mandibles and maxillae, in support of single or multiple unit restorations. It is intended for delayed loading. Products with diameter equal to or above 5mm and length below 7mm is intended to be used in the molar region.

## 3. How to store

Keep it in a dry place having no direct sunlight and room temperature (1~30°C)

## 4. How to use

### 4.1 Preliminary preparations

- ① For a successful dental implant treatment, careful evaluation should be made for each patient from the medical or dental perspective and clinical and radiologic analysis and model analysis are required.
- ② The internal package of the dental implant should be checked. The internal package of the dental implant is sterilized before delivered. So, if any seal is torn or opened, the product should not be used.

### 4.2 How to operate

#### 【1st surgery】

- ① Make an incision in the soft tissue and drill it in a way that a fixture can be put into it. (Drilling : 1,200~1,500rpm, Cortical Drilling : 500~800rpm)

Ø3.0 F	GD→Ø2.2D→Ø2.5D or 2.7D
Ø3.5 F	GD→Ø2.2D→Ø3.0D→CD
Ø4.0 F	GD→Ø2.2D→Ø3.0D→Ø3.6D→CD
Ø4.5 F	GD→Ø2.2D→Ø3.0D→Ø3.6D→Ø4.1D→CD
Ø5.0 F	GD→Ø2.2D→Ø3.0D→Ø4.1D→Ø4.6D→CD
Ø5.5 F	GD→Ø2.2D→Ø3.0D→Ø4.6D→Ø5.2SD→CD
Ø6.0 F	GD→Ø2.2SD→Ø3.0SD→Ø4.6SD→Ø5.2SD→Ø5.5SD
Ø7.0 F	GD→Ø2.2SD→Ø3.0SD→Ø4.6SD→Ø5.5SD→Ø6.2SD→Ø6.5SD

GD: Guide Drill, D:Twist/Step Drill, SD:Step Drill, CD:Cortical Drill

\*Remark : Drilling is omissible depending on extracted socket size, if bone density is hard, it is recommended to use Cortical Drill properly.

- ② Check out the type and size of Fixture specified in the package label and take out the double packaged ampoule.
- ③ Turn the ampoule cap by hand to open and find the Fixture which is fixed to the titanium bushing. Connect the Fixture Driver to the Handpiece or Ratchet.
- ④ Take the Fixture to the mouth and put it into the drilled hole while making sure that any metal or saliva does not contaminate it. While changing the torque value of the Handpiece from low value to high value, put the Fixture into the alveolar bone in 20rpm for full implantation (The recommended torque value for implantation : 30 ~ 45Ncm)
- ⑤ Use the Hex Driver to fix the Cover Screw or Healing Abutment to the Fixture with 5~8Ncm before making a suture in the surgery area.

#### 【2nd surgery】

- ① Once the alveolar mucosa is healed and the osseointegration is made, make an incision in the upper soft tissue above the implanted area to expose the Cover Screw.
- ② Remove the Cover Screw and connect the Healing Abutment to the Fixture.
- ③ Suture the soft tissue around the Healing Abutment.

### 4.3 How to store and control after use

- ① As all products put into the mouth are intended for disposable use, they are not allowed for reuse.
- ② Once opened, any product should be disposed of.
- ③ Any packing materials for the product used should be disposed of.
- ④ The surgical tool which is used should be immediately cleaned by using alcohol, cleaning agent or distilled water and then sterilized and dried before stored.

## 5. Warning

- ① The selection of an improper patient and a wrong surgery may lead to a failure of the treatment.
- ② As the product is a disposable one, it should not be reused.
- ③ Risks from reusing the disposable medical device
  - ▶ The reuse has not been verified so it may cause an infection.
  - ▶ The product's defective connection, jammed abutment, deformation or screw loosening may occur.
- ④ The manufacturer does not take any responsibility for the product which is re-sterilized by the user.
- ⑤ The Izen implant System has not been evaluated for safety and compatibility in the MR (magnetic resonance) environment. The Izen implant System has not been tested for heating or migration, or image artifact in the MR environment. The safety of fixture in the MR environment is unknown. Scanning a patient who has this device may result in patient injury.

## 6. Prohibitions

The treatment should not be done for the following patients.

- ① Patients having problems in coagulation or disability in the healing of bone or wound
- ② Patients having any uncontrolled diabetes, heavy smokers or alcoholics
- ③ Patients with decreased immune system due to the chemotherapy and radiotherapy.
- ④ Patients having oral infection or inflammation (or patients having improper oral hygiene or bruxism)
- ⑤ Patients having untreatable disorder in the occlusion or joint or having insufficient arch space
- ⑥ Other patients who are not suitable for treatment
- ⑦ Patients who are allergic or too sensitive to the raw material used for implant
- ⑧ Patients who are not cooperative in treatment

## 7. Adverse reactions (side effects)

- ① Bone loss, low primary stability, dental implant loss, inflammation or neural damage may occur, thus leading to a failure in the dental implant surgery.
- ② Local complications such as swelling, pain, phonetic difficulties, hematoma, hemorrhage, infection, inflammation, ulcer or opening of sutured area may occur.
- ③ Edema, separation of sutured area
- ④ Numbness from nerve damage after surgery is usually a temporary symptom, but some cases are permanent.
- ⑤ Permanent paresthesia, dysesthesia, loss of maxillary/mandibular ridge bone.
- ⑥ Oroantral or oronasal fistulae, unfavorably affected adjacent teeth, irreversible damage to adjacent teeth, fractures of implant, jaw, bone or prosthesis, aesthetic problems, exfoliation, hyperplasia.

## 8. General precautions

- ① Only a dentist who has received implant surgery training and practice should be allowed to use the product.
- ② The operator should fully understand how to use the product and other cautions before selecting the product which is proper for the treatment plan.
- ③ Patients who have excessive masticatory force may experience failed osseointegration, or loosening or breaking off of the dental implant.  
So, make sure to perform the surgery with the sufficient number, thickness and length of dental implants.
- ④ Prior to the surgery, check out the surgery tool for abrasion.
- ⑤ Make sure to supply sufficient water during the surgery so that the bone does not suffer necrosis by the heat.
- ⑥ As the product is sterilized, make sure to check the product for any packing status, expiry date or damage.
- ⑦ As the product is sterilized, make sure to open it in a clean environment immediately prior to the surgery.
- ⑧ The selection and treatment of an improper patient may lead to a failure of the dental implant or bone loss around the implant area after the surgery.
- ⑨ If a patient has any bone disease (such as osteoporosis or osteomalacia) or bone metabolism disorder, consider this carefully prior to the treatment.
- ⑩ As an implant having a diameter of 4.25mm or below may get broken due to limited strength, its use is not recommended for the oral posterior area.
- ⑪ The use of an implant having a diameter of not less than 5mm and length below 7mm is limited to the posterior area and the dental implant shall be splinted with other prostheses.
- ⑫ The product having the diameter of 3.25mm or below shall be used only for the mandibular anterior region in order to avoid its fracture due to excessive load force.

**“Disposable, no reuse, medical device”**

※ For detailed information of each product, please refer to the catalog or our website.



 **Manufacturer : Izenimplant Co., Ltd.**

1, 2Dong, 26-32, Suworam 4-gil, Seotan-myeon, Pyeongtaek-si, Gyeonggi-do, 17703, Republic of Korea  
Tel.82-31-662-0657 Fax.82-31-662-0658

**Rx only**  
PRESCRIPTION ONLY

For USA Only : Federal law restricts this device to sale by or on the order of a dentist

**IZEN**  
I M P L A N T



