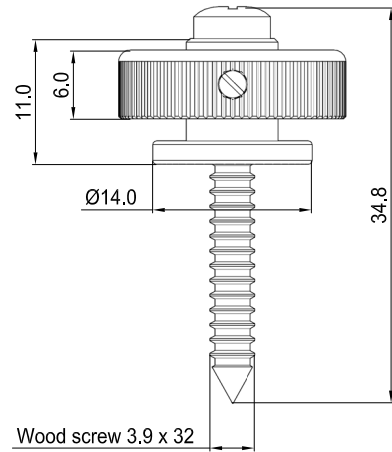
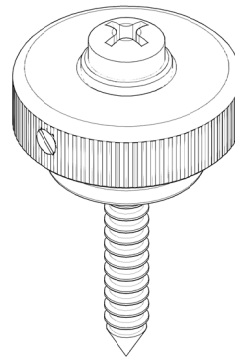


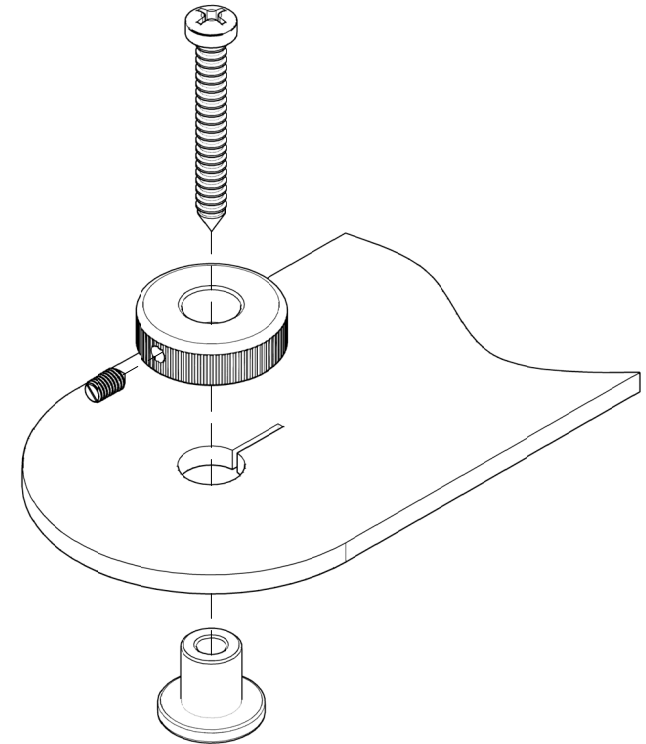
Front view



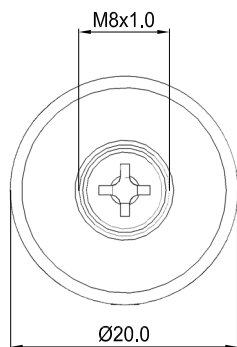
Isometric view



Isometric view



Top view



SP20 Locking Strap Pin

Notes:

- All measures in [mm].
- All parts are turned only from solid bars of specially selected STAINLESS STEEL.
- All standard parts are also from STAINLESS STEEL.