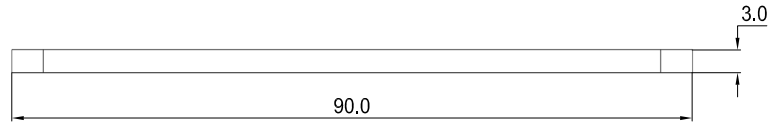
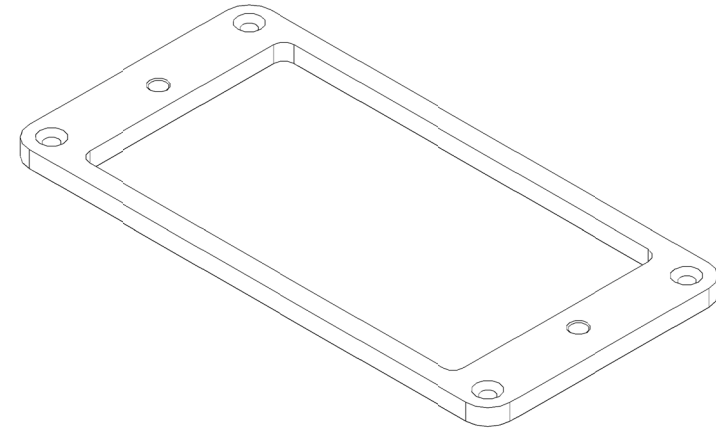


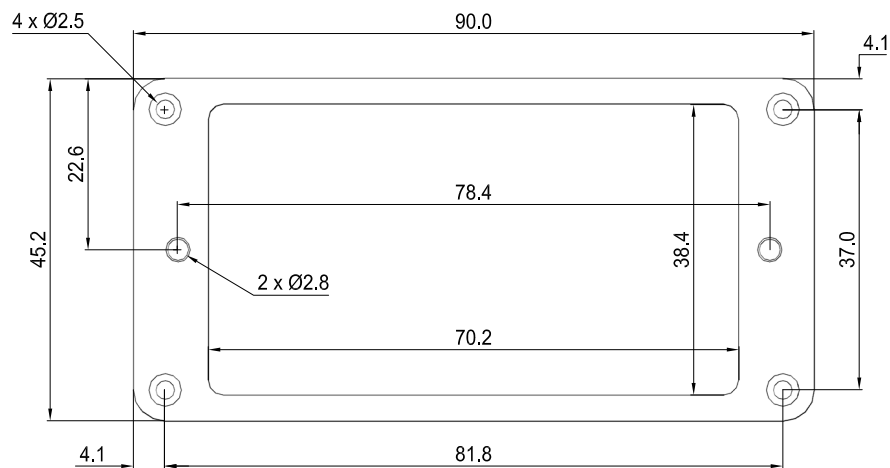
Side view



Isometric view



Top view



PF6-A3 Pickup Frame

Notes:

- All measures in [mm].
- Metal frame is milled only from solid sheet of specially selected STAINLESS STEEL.
- All standard parts are also from STAINLESS STEEL.
- **PF6-A3** Pickup Frame set includes only frame and four fixing screws 2.2x16mm.
- Pickup Frame set does not include Pickup fixing screws and springs.