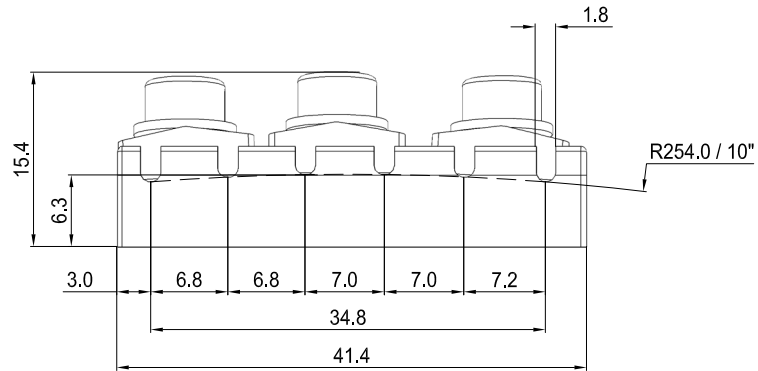
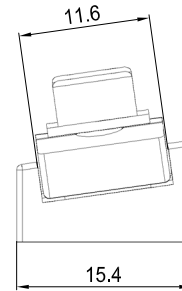


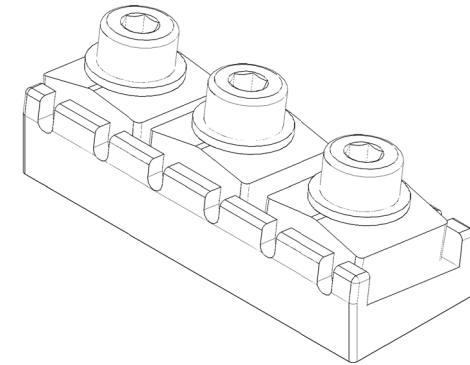
Front view



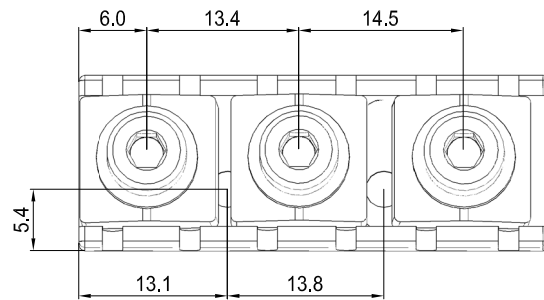
Side view



Isometric view



Top view



LN6-L2 Locking Nut

Notes:

- All measures in [mm].
- All metal parts are milled only from solid bars of specially selected STAINLESS STEEL.
- All standard parts are also from STAINLESS STEEL.
- Fretboard radius - R254.0 / 10".
- Orientation - **LEFT** handed.
- **LN6-L2** Locking Nut mounting - from underneath (by two metric thread screws) and from above (by two wood screws).
- **LN6-L2** replace all Locking Nuts with width close to 41.4mm or similar, described as **L2**.