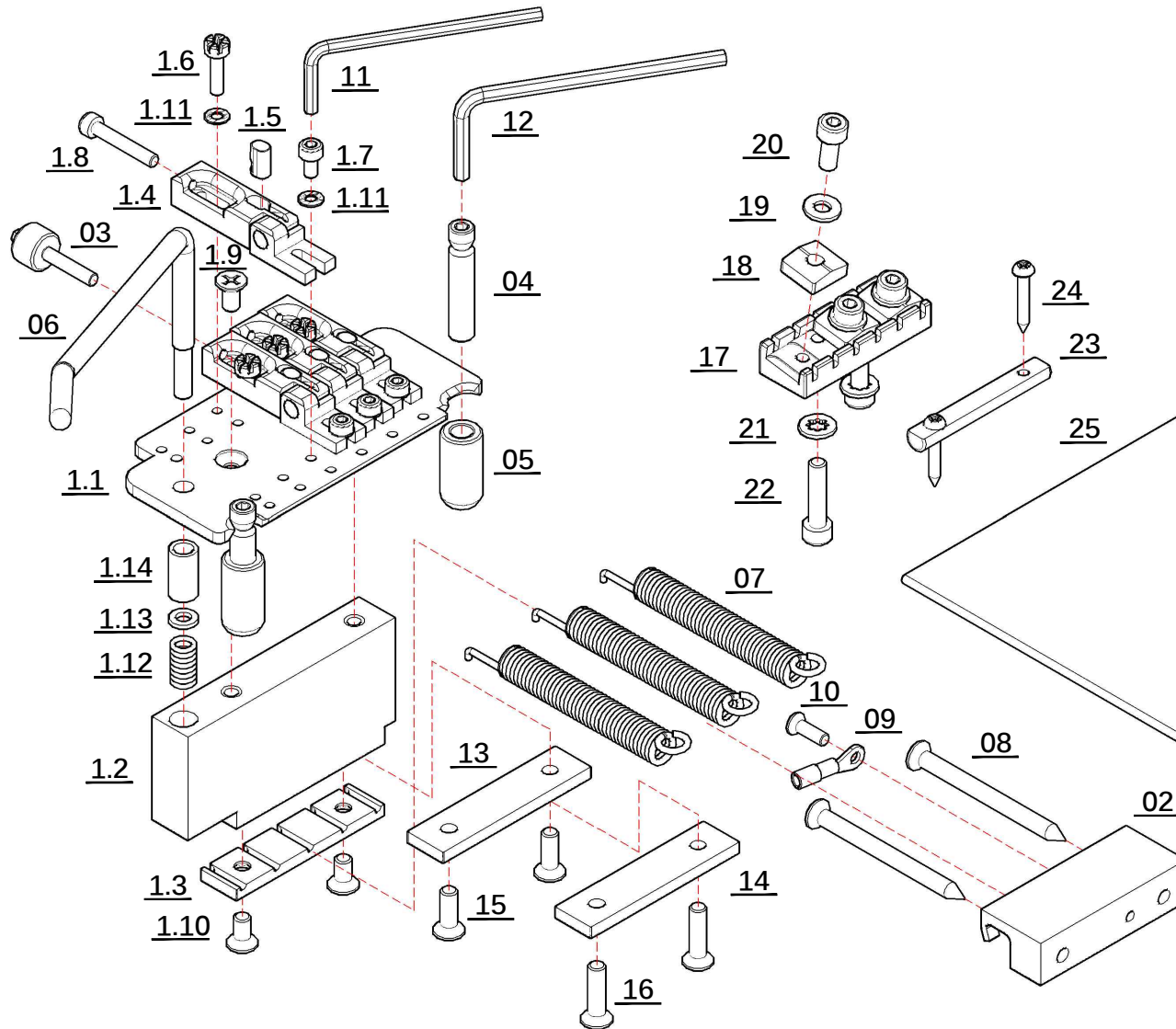


FT36 Performante
patented double locking tremolo system



Part List

No	Part Description	Qty
01	Tremolo set	1
1.1	Baseplate (R or L)	1
1.2	Sustain Block	1
1.3	Retainer Bar	1
1.4	Saddle Assembly*	6
1.5	String Lock Insert	6
1.6	Fine Tuning Screw	6
1.7	Saddle Mounting Screw	6
1.8	String Lock Screw	6
1.9	Tremolo Mounting Screw	2
1.10	8 mm Retainer Screw	2
1.11	Shim Ring	12
1.12	Tremolo Arm Spring	1
1.13	Tremolo Arm Washer	1
1.14	Tremolo Arm Sleeve	1
02	Spring Claw	1
03	Adjustment Screw	1
04	Pivot Stud	2
05	Pivot Insert	2
06	Tremolo Arm (R or L)	1
07	Tremolo Spring	3
08	Spring Claw Screw	2
09	Clamp Cable Lug	1
10	Cable Lug Screw	1
11	Key Wrench 2.5mm	1
12	Key Wrench 3.0mm	1
13	Retainer Plate	1
14	Second Retainer Plate (opt.)	0
15	12 mm Retainer Screw	2
16	16 mm Retainer Screw (opt.)	0
17	Locking Nut Base (R or L)	1
18	Locking Nut Clamp	3
19	Clamp Washer	3
20	Clamp Screw	3
21	Nut Washer	2
22	Nut Mounting Screw	2
23	Nut Bar	1
24	Nut Bar Screw	2
25	User Manual	1

* String Saddle Assembly includes a Front Saddle, a Rear Saddle, a Saddle Assembly Shaft and a Hidden Fine Tuning Spring.